

Ecooustic® Pinch

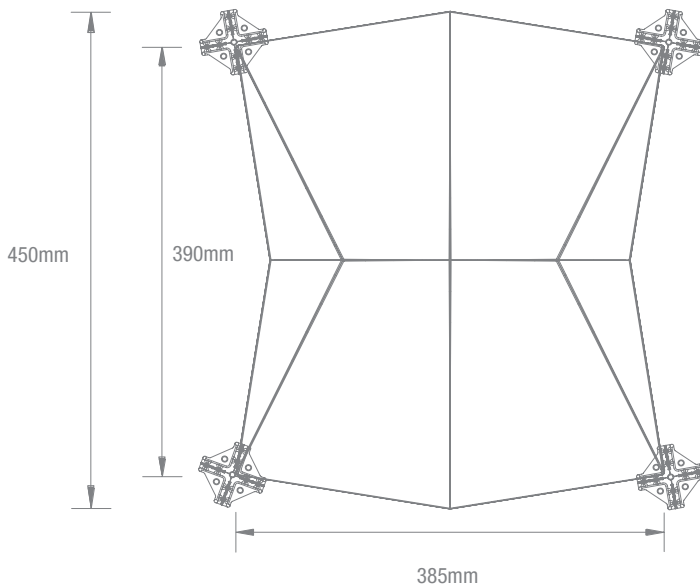
—
An easy to install modular wall tile with
quality sound absorption



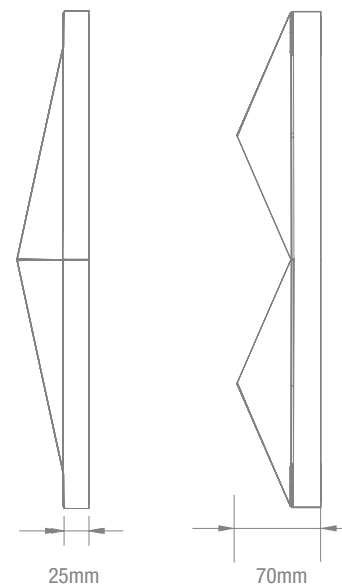
INSTYLE

Ecoustic® Pinch Wall Tile

Front View



Side + Bottom View

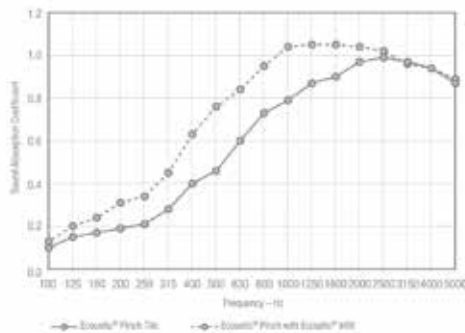


PRODUCT Ecoustic® Pinch Wall Tile

DESCRIPTION A dynamic three dimensional tile designed to provide quality sound absorption

DIMENSIONS 385mm (w) x 450mm (h) x 70mm (d)

ACOUSTIC α_w 0.5 / NRC 0.6
 α_w 0.6 / NRC 0.8 (Ecoustic® Infill increases sound absorption)



FIRE TEST AS/NZS 1530.3

Ignitability	9
Spread of Flame	0
Heat Evolved	3
Smoke Developed	6

ISO 5660-1 NZBC Group 3
 Average Specific Extinction Area 382m²/kg

GB8624-2012 Grade B1

APPLICATION wall + ceiling (must be glued)

ORIGIN Made in Australia

Please contact your representative for CAD drawings

BENEFITS

Lightweight, Easy to Handle + Install: Position the 4-way clips using the template provided, then simply press the tile into place. The design can be easily extended at a later stage.

Designed for the Environment

- Based on low energy manufacturing
- 100% polyester (up to 23% PC + PI recycled content)
- Designed for disassembly + recyclable
- Low-VOC, EPD + Greentag Level A Certified

Warranty: A 12 month warranty is provided against manufacturing defects. Internal installation only, outdoor use will void any warranty.

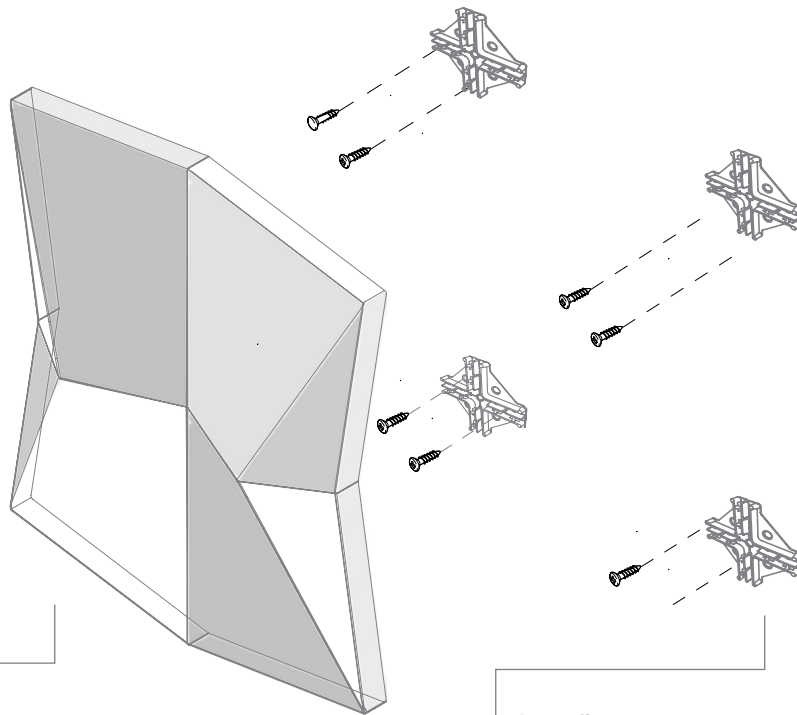
Building Rating Systems: Pinch will contribute the following points for Green Star, LEED + WELL building standards.

Criteria	Green Star	LEED	WELL
Recycled Content	✓	✓	NA
Low VOC	✓	✓	✓
Recycling Program	✓	✓	NA
EPD	✓	✓	NA
Third Party Greentag Level A Certification	✓	✓	✓
Toxic Material Reduction	NA	NA	✓
Sound Reducing Surfaces	NA	NA	✓

HOW TO SPECIFY

DESIGN	Ecoustic® Pinch Wall Tile
COLOUR	Select from Ecoustic® Felt colours
ECOUSTIC® INFILL	Optional extra - order separately

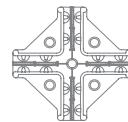
Ecoustic® Pinch Wall Tile Components



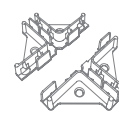
Screws
Flat-head c/sunk 25mm (1") 10g
[2 per 4-way clip]
Not supplied

Ecoustic® Pinch Wall Tile
100% polyester (up to 23% recycled content)
8 tiles per box in a single colour

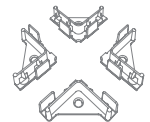
4 way clip
Clear ABS
8 + 1 spare 4-way clips are supplied with each box
Single clip template is included in each box



Complete
Use a complete clip for each junction of 4 tiles

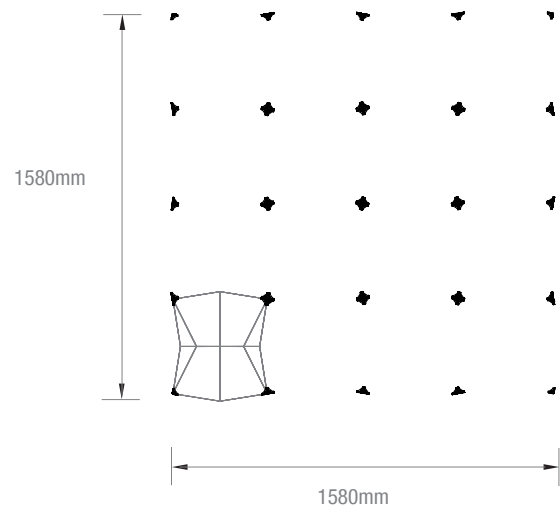


Half
Break a clip in half for each straight edge 2 tile joins



Quarter
Break clip into quarters for each single tile corner

Example 1580mm x 1580mm Clip Layout



Product may vary in colour due to the nature of the media
Please refer to website for current colour range
Variation in fibre mix and colour is an inherent feature of this product and variation from batch to batch may occur