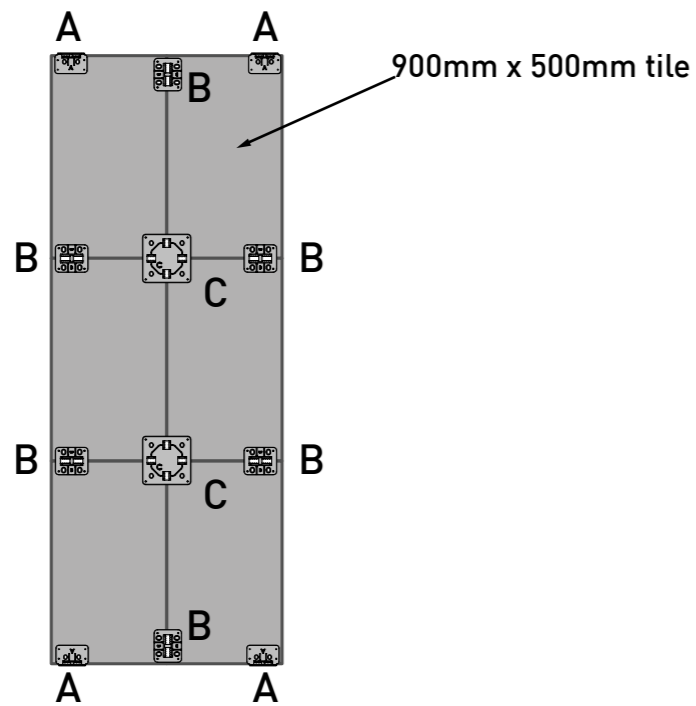
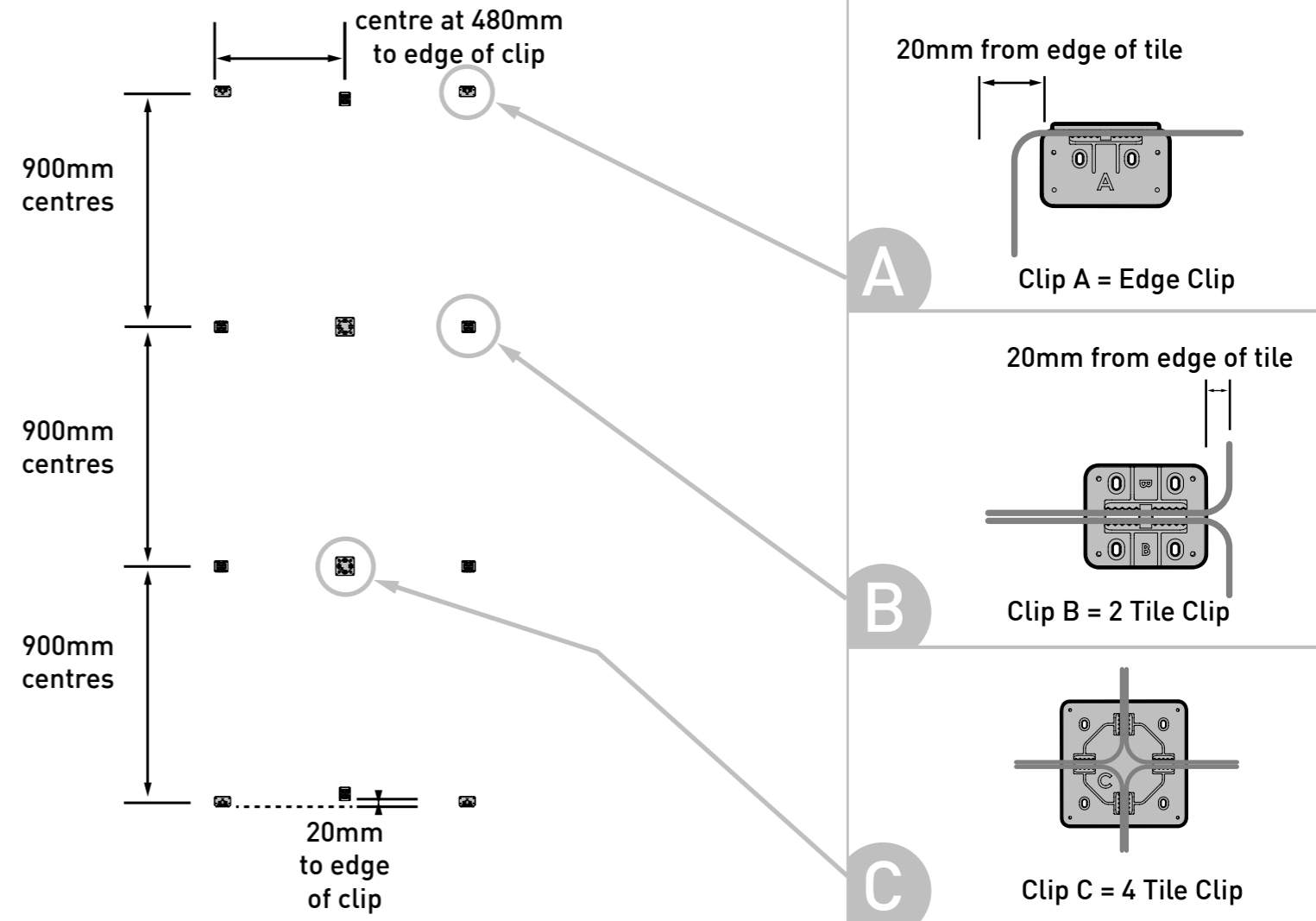


# 1

Mark out the desired clip pattern.  
The pattern shown is based on a 900x500 grid.



This pattern can also be rotated 90degrees for landscape layout.

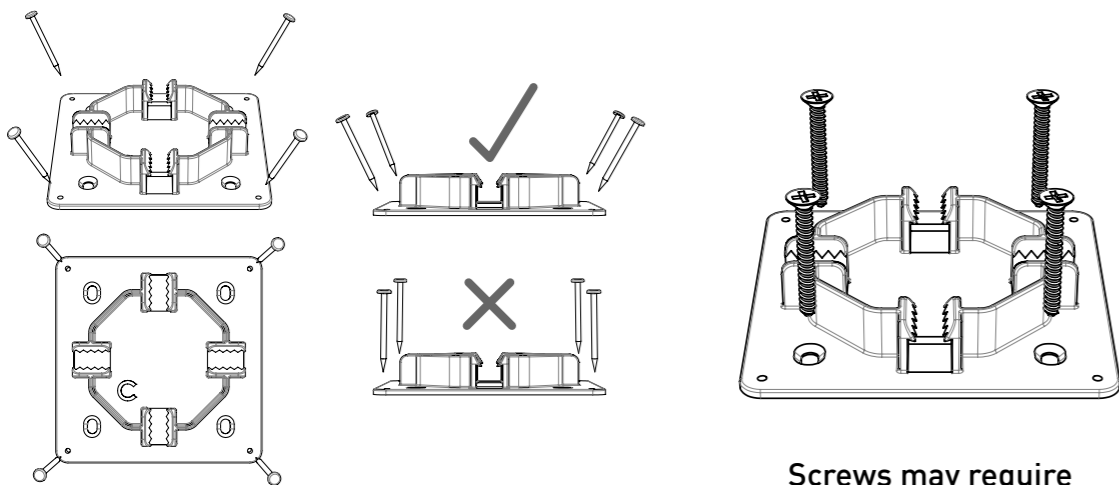


# 2

Choose either nails or screws to suit wall construction.

You may want to use double sided tape to temporarily hold the clips while installing them.

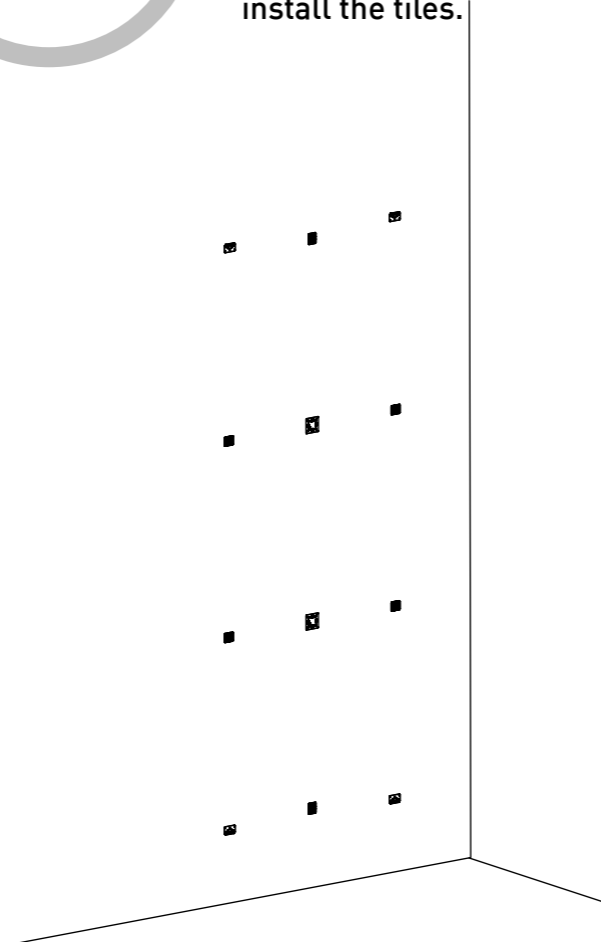
If using nails it is critical that they are inserted at an angle.



Screws may require additional fixing accessories like wall plugs for masonry.

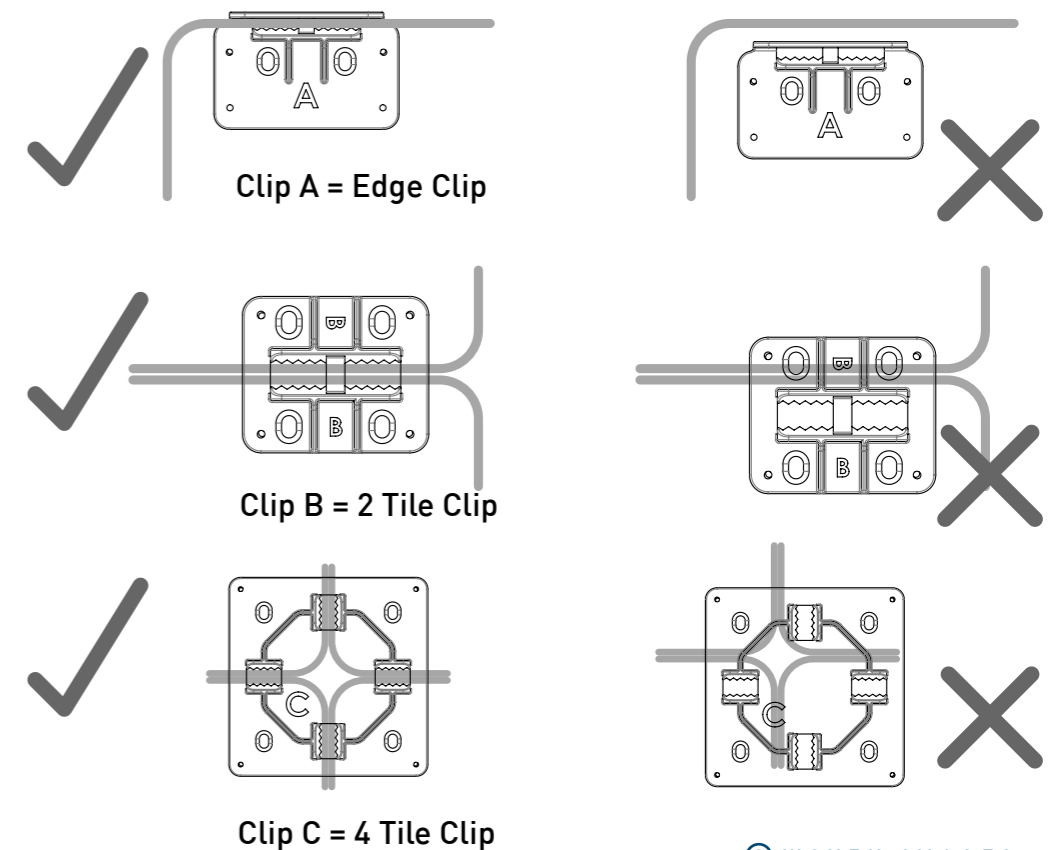
# 3

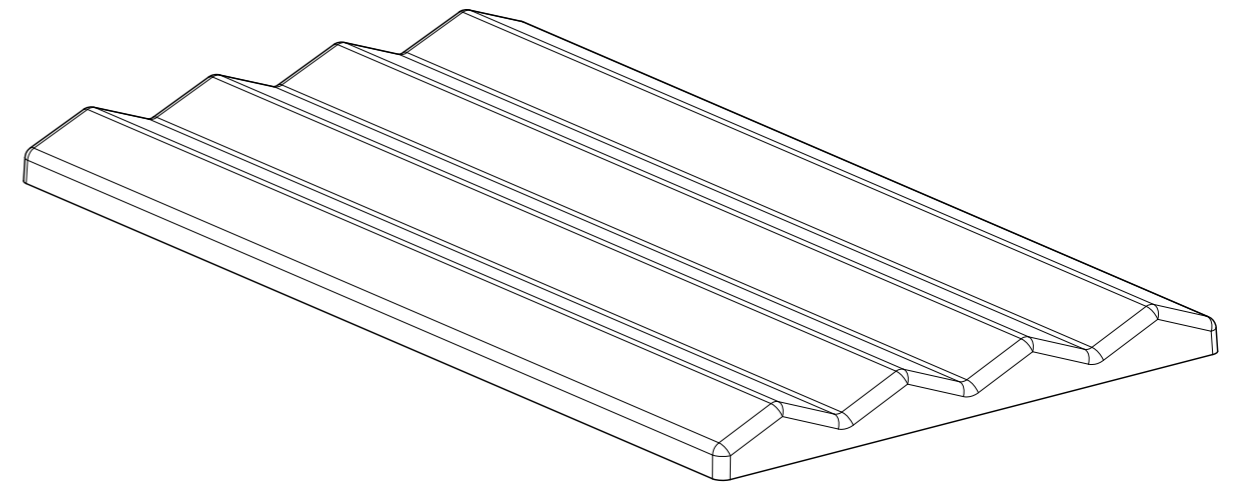
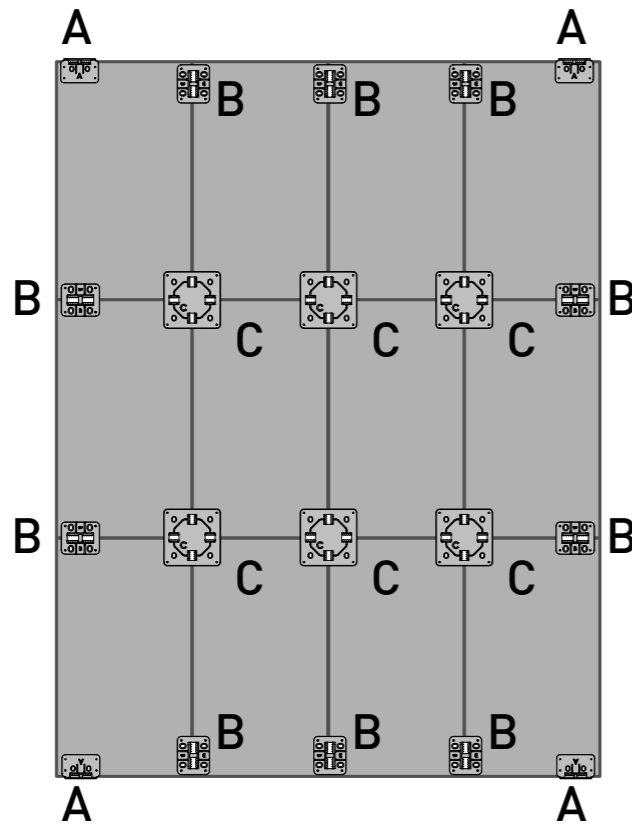
When all the clips are fixed you will have a grid of clips ready to install the tiles.



# 4

Align tiles:  
Please note: Tiles are difficult to remove once installed.  
Align tiles in clips before pushing them into position.





## Ascent Tile Installation Guide

The clips supplied are appropriate for the installation of 6 tiles arranged in a 3 x 2 grid  
The arrangement above can be achieved with 2 boxes (12 tiles).  
Other layouts will require extra clips.

All tiles need a clip at each corner.

Use Edge Clip (A) for any perimeter corner (as shown)

Use 2 Tile Clip (B) where tiles meet (as shown)

Use 4 Tile Clip (C) where 4 tiles intersect (as shown)

Additional clips are available in packs of 10 of A, B, C, or 16 mixed clips.

Please contact Woven Image to order.

Any unused clips can be returned to Woven Image for recycling

### Cleaning & Care

#### Regular Care

- Protect from direct sunlight
- Vacuum regularly using low suction and smooth attachment

#### Cleaning

- Professional cleaning recommended
- Do not shampoo clean

#### Spot Cleaning

- Treat spills and stains as soon as possible
- Avoid concentrated rubbing. Use minimal pressure only.
- Gently scrape soil or mop liquid from the surface of the tile
- Apply proprietary cleaning agents strictly according to instructions
- Do not saturate the tile or interior with water or other cleaning liquids
- May be spot cleaned with dry cleaning solvent

For more information visit [wovenimage.com](http://wovenimage.com)

### Specification

- Non-woven PET Formed Acoustic Wall Tiles
- 900 mm (+/- 5 mm) x 500mm (+/- 5 mm)
- 6 tiles per Box (sold by the box only) 2.7 m<sup>2</sup>

### Contents of box

- 6 Ascent Tiles
- 16 Clips (4 x Clip A, 8 x Clip B, 4 X Clip C) Appropriate for a 2 Tile x 3 Tile configuration
- Installation guide

Please read these instructions before application.

This guide is presented in good faith to help in the installation of Ascent Tiles.

Woven Image accepts no responsibility for installation actions taken or not taken. This guide contains recommendations and is not intended as an all-encompassing guide, your knowledge as an experienced tradesman needs to be applied.

A professional qualified installer is recommended for optimum result.

### Pre-Installation Requirements

- Please check that all Ascent Tiles are the correct colour, shape and same batch number (if requested).
- No claims will be accepted after the Mura Tiles have been installed.
- The clips should be tested for wall suitability and type of fixing required.
- All surfaces must be smooth, clean, dry, dust and mould free.
- Please refer to Woven Image Pty Ltd Terms and Conditions of trade

If you have any questions about application or techniques please visit [wovenimage.com](http://wovenimage.com)