

HORIZON FLOATING ACOUSTIC PANELS



HORIZON™
DESIGN: RECTANGLE
COLOR: PAVILION



HORIZON™

FLOATING ACOUSTIC PANELS

Horizon™ allows shapes to appear floating from ceilings and walls while increasing acoustic performance. With five geometric shapes, slick finished edges and clean hidden fixings, Horizon allows an easy yet good looking feature for hospitality spaces, open plan offices, meeting rooms, education facilities and lobbies. Utilizing our sophisticated channels, clips and suspension wires, Horizon can be installed on ceilings and walls without the need for clear space, as minimal contact is made between the panel and the surface area; providing a floating aesthetic.

For ceilings, Horizon's adjustable system allows you to set the suspension height with ease giving you the ability to target multiple frequency levels within the chosen space. Horizon can also be clipped to walls as a demountable acoustic panel, without the need for adhesives.

Horizon; pushing the boundaries of acoustic design.

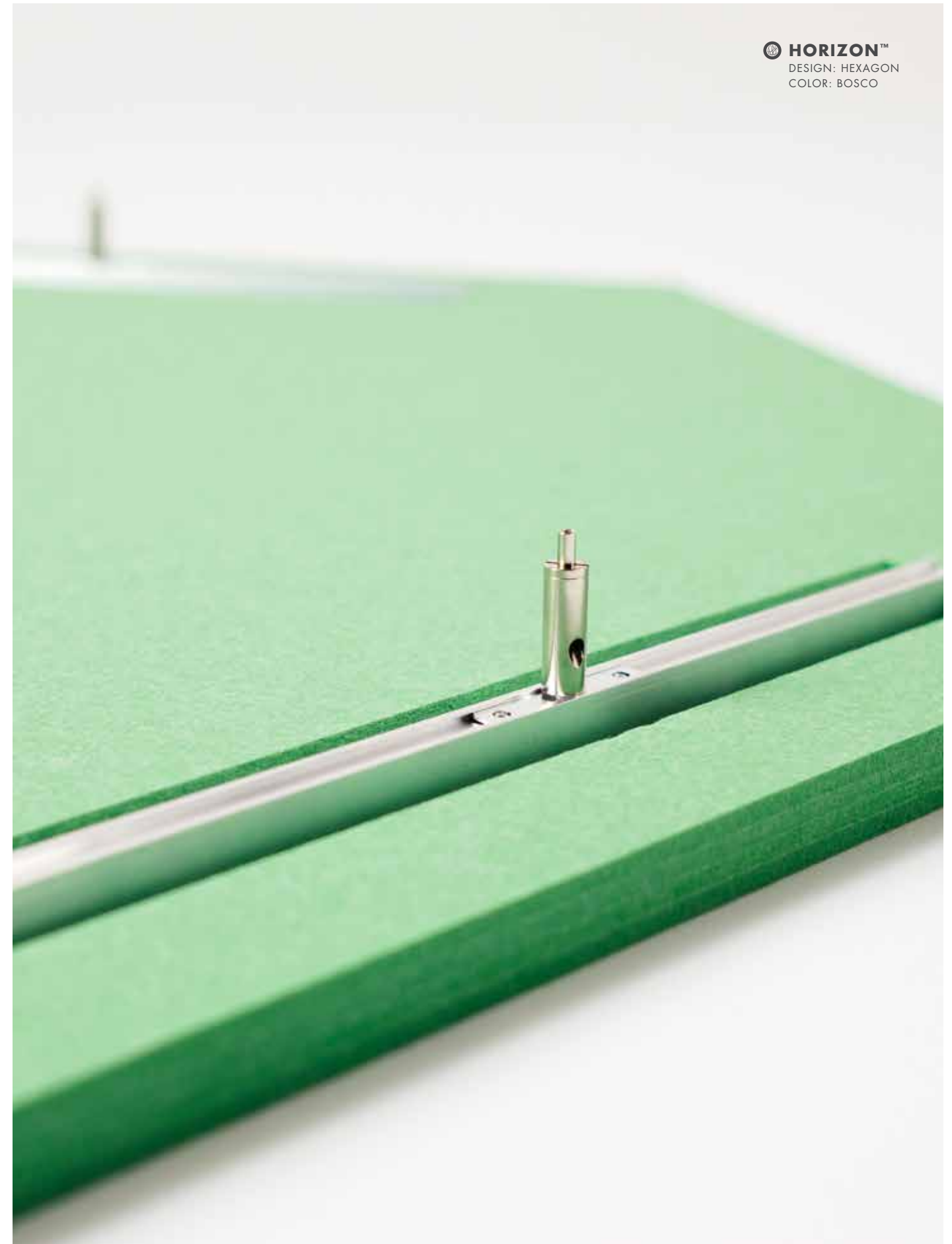
HORIZON™

FLOATING ACOUSTIC PANELS

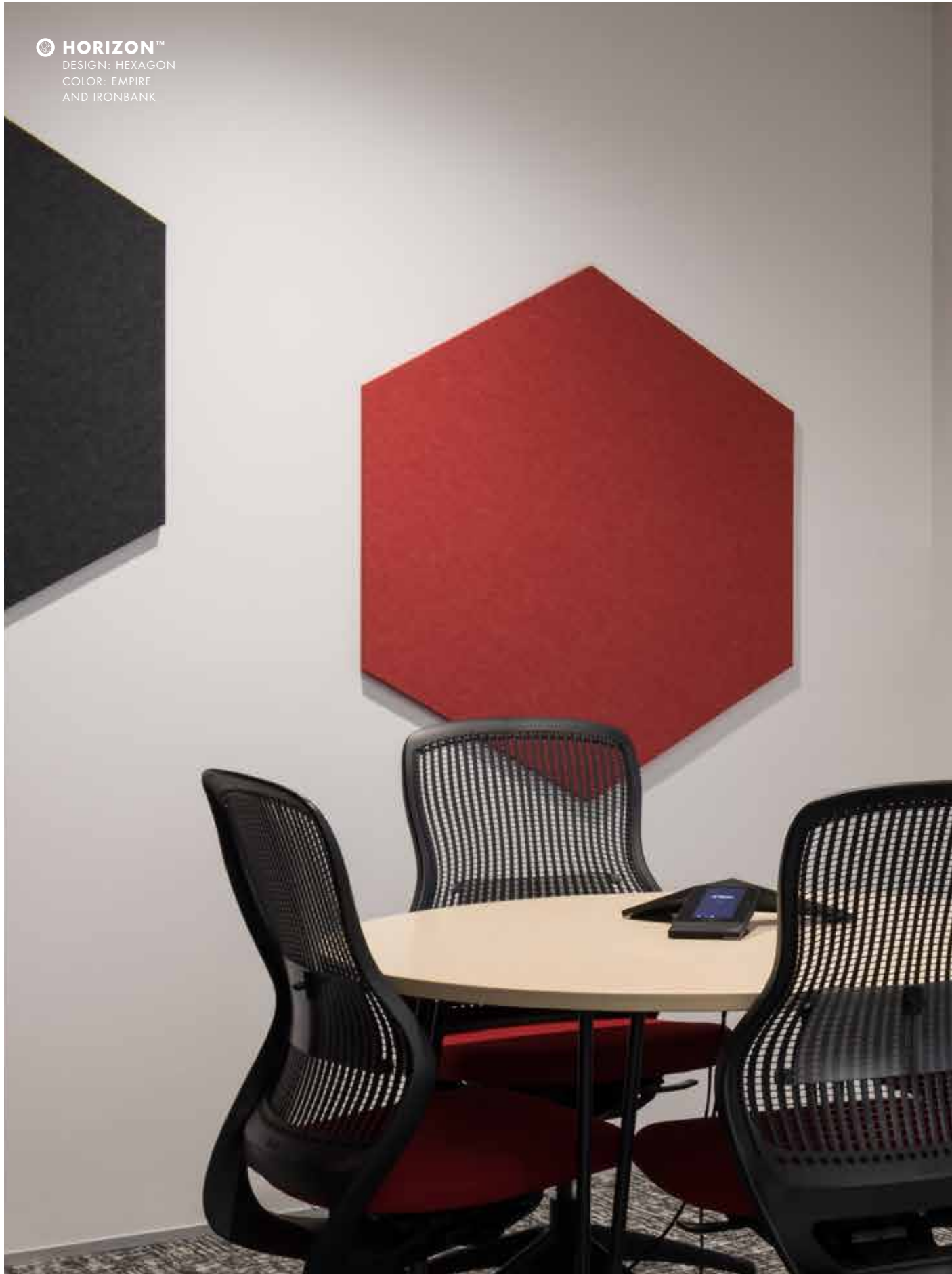
FEATURES AND BENEFITS

- Delivers excellent acoustic performance
- Suitable for wall and ceiling applications
- Can be subtle or a feature design for small or large spaces
- Low VOC – beneficial for IEQ
- UV stabilized and resistant to color fade so it'll always look as good as the day it was installed
- Not made from fiberglass or mineral fiber and does not contain formaldehyde, crystalline silica or other carcinogens, common to traditional fibrous absorbers
- Cleanable and easily demountable
- Hides ceiling services
- Includes high recycled content and is recyclable at the end of its life
- Highly durable so you're assured of long-term stability and performance

HORIZON™
DESIGN: HEXAGON
COLOR: BOSCO



HORIZON™
DESIGN: HEXAGON
COLOR: EMPIRE
AND IRONBANK



HORIZON™

FLOATING ACOUSTIC PANELS

APPLICATIONS

- Suitable for a variety of spaces including offices, education, retail, hospitality and commercial interiors
- Fixed or suspended ceiling and wall acoustic panels

SPECIFICATION

Acoustic panels shall be Horizon™ (□) as compiled by Autex www.autexacoustics.com

Acoustic absorber Horizon (Rectangle 7.87' x 3.93'), (Square 3.93' x 3.93'), (Circle 3.93' Dia), (Right Angled Triangles 3.93' x 3.93'), (Hexagons 3.60' across the flats) 0.91" thick. Color (□),

Fire Rating ISO 9705: 1993: Group 1-S,

AS ISO 9705 – 2003: Group 1,

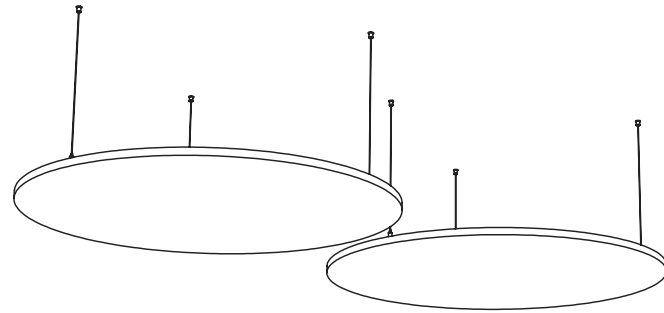
ASTM E-84-15a: Class A, FS:0 - SD:45.

Seismic bracing as per local building code requirements.

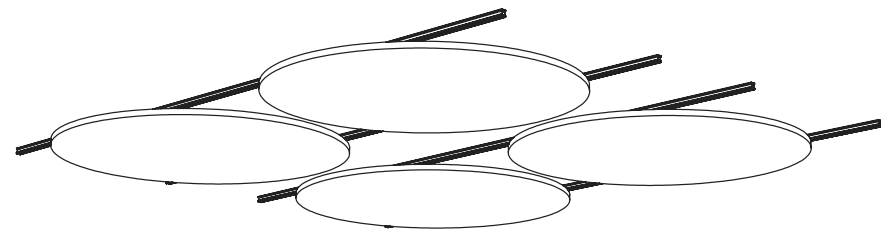
Supplied with Autex suspension kits for suspension or Frontier™ clips for direct fixing, fix with countersunk fastener appropriate for the substrate. Install as per Horizon Install Instructions.

HORIZON™

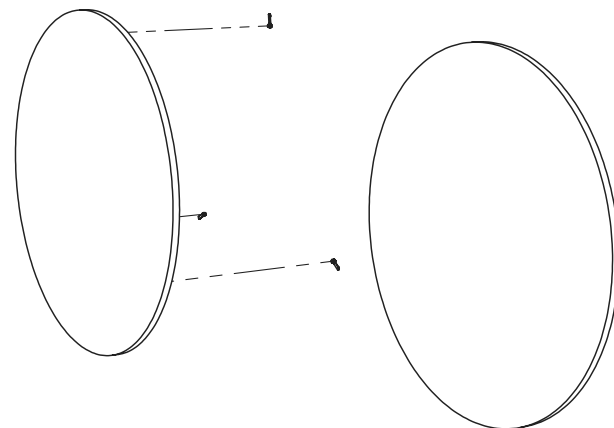
INSTALL OPTIONS



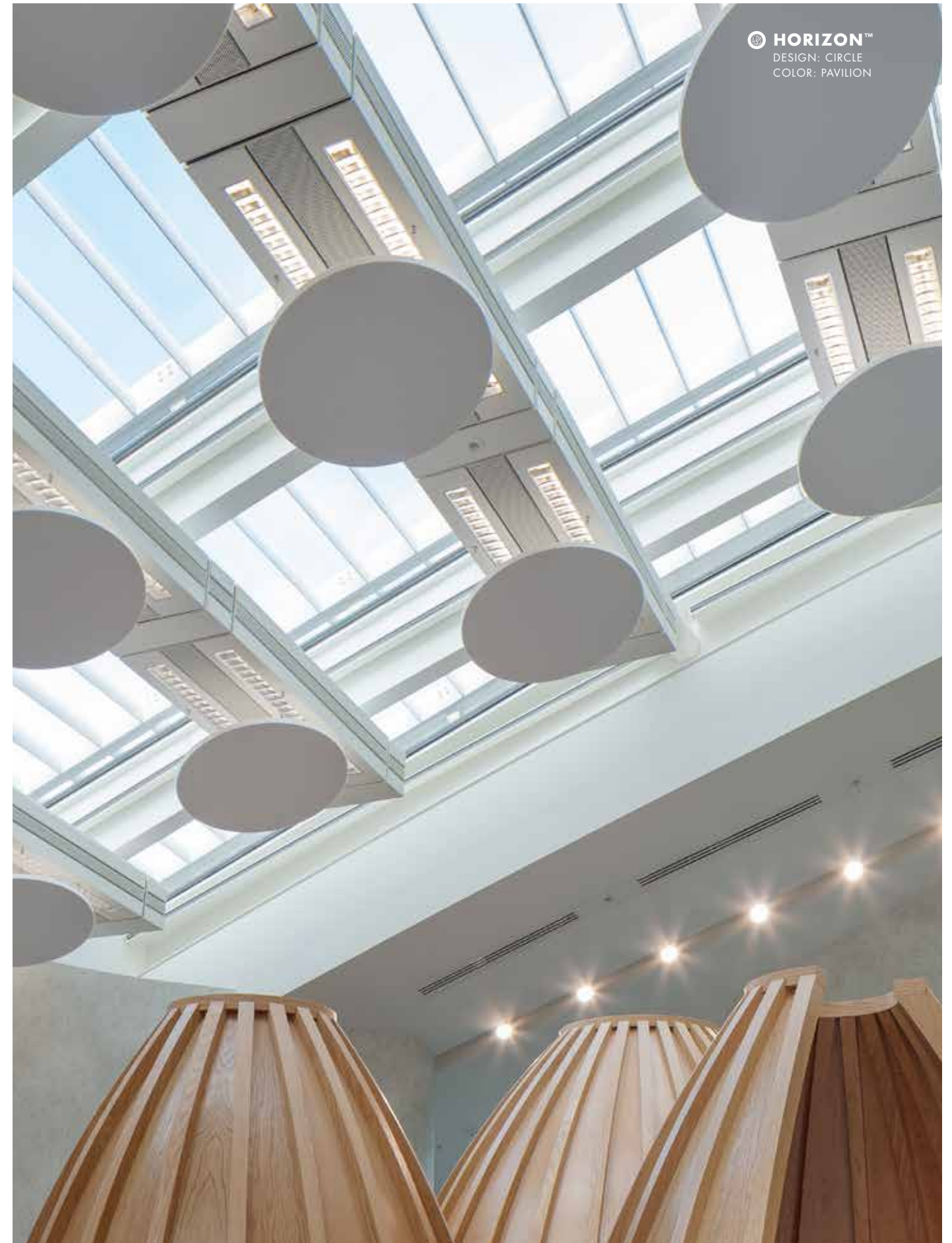
Horizon can be suspended on simple wires



For larger scale installations Horizon can be installed to battens



Or connected to walls or ceilings using our Frontier clip



HORIZON™
DESIGN: CIRCLE
COLOR: PAVILION

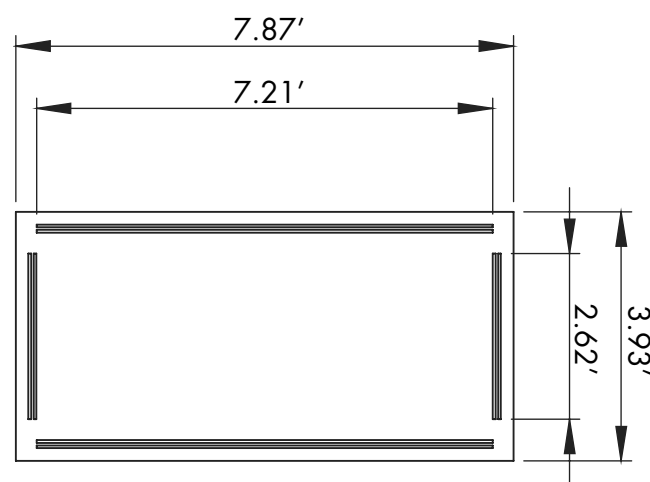
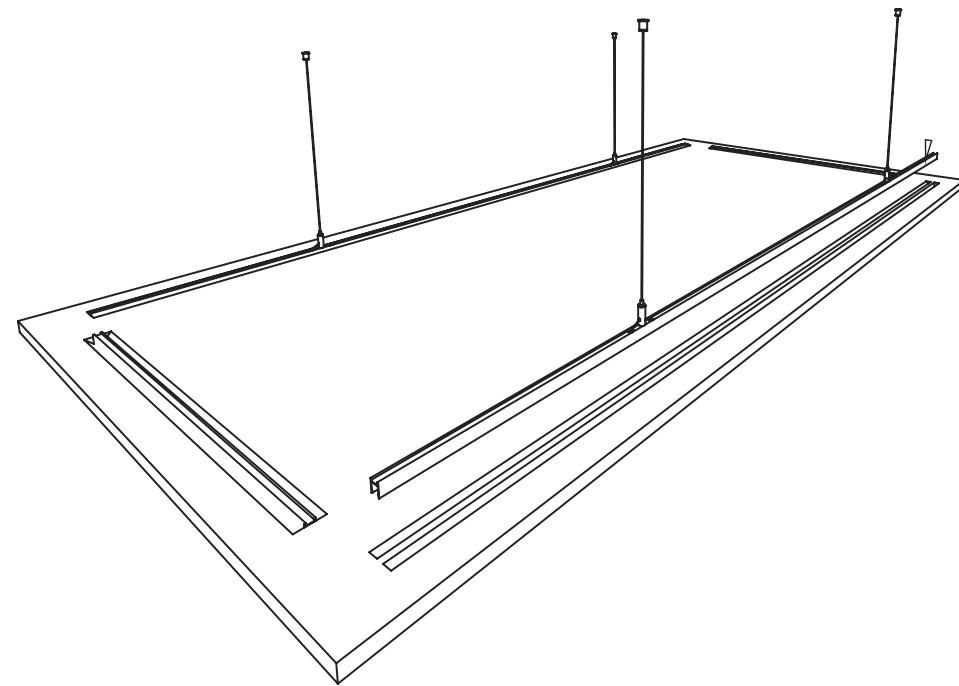


FLOATING **ACOUSTIC FEATURE**

Choose from five geometric shapes or
create your own custom Horizon™ acoustic panel.

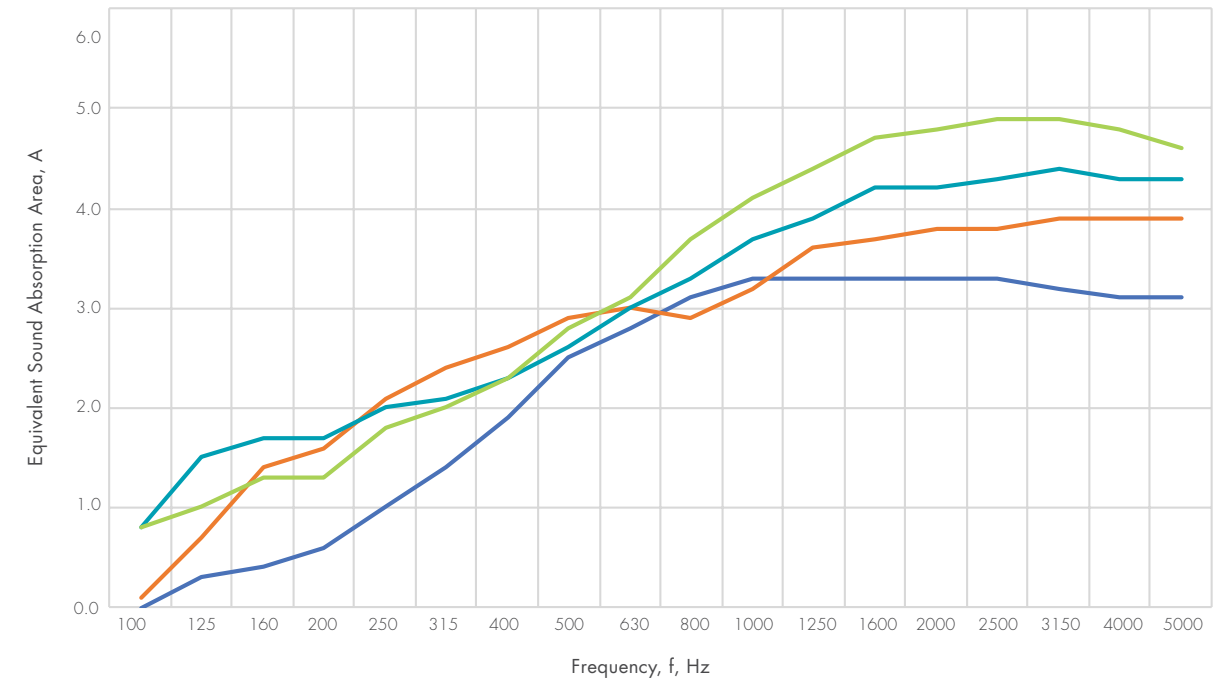
HORIZON™

DESIGN OPTIONS



DESIGN RECTANGLE COLOR SEE PAGE 27 FOR FULL COLOR RANGE

EQUIVALENT ABSORPTION AREA ACCORDING TO ISO 354.



	University of Auckland Test report Number	125	250	500	1000	2000	4000	Per Unit
Horizon Rectangle Direct Fixed on Clips	T1805-1	0.3	1.0	2.4	3.3	3.3	3.2	2.5
Horizon Rectangle Suspended 8"	T1805-22	0.8	2.1	2.9	3.3	3.8	3.9	3.0
Horizon Rectangle Suspended 16"	T1805-21	1.4	2.0	2.7	3.7	4.3	4.4	3.1
Horizon Rectangle Suspended 32"	T1805-11	1.1	1.7	2.8	4.1	4.8	4.8	3.4

All results are reported in Metric Sabin - per unit. Equivalent sound absorption according to ISO 354 measurement of sound absorption in a reverberation room. Average Absorption (Sabins per unit) calculated at one-third octave bands centered on 250 Hz, 500 Hz, 1000 Hz and 2000 Hz. and rounded to the nearest 0.05.

PRODUCT SPECIFICATIONS

Product Name	Horizon™ Rectangle
Composition	100% Polyester Fibre; Aluminium Channel
Panel Dimensions	3.93' x 7.87'
Tolerance	(+0.2") (+0.2")
Thickness	1"
Tolerance	(+/- 6%)
Weight	15.07 oz/ft²

INSTALLATION

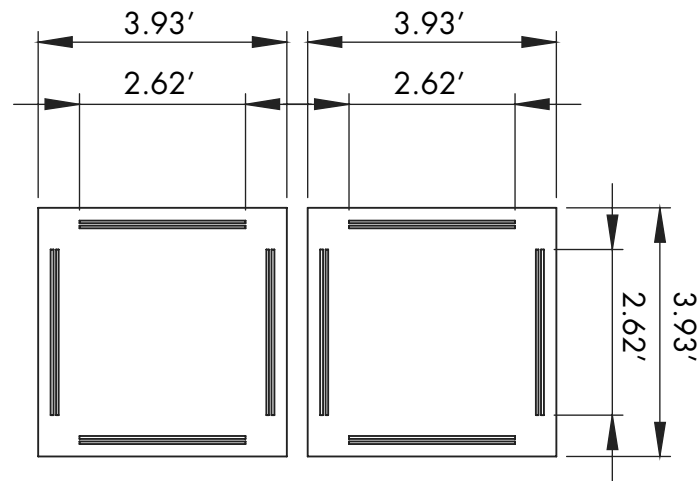
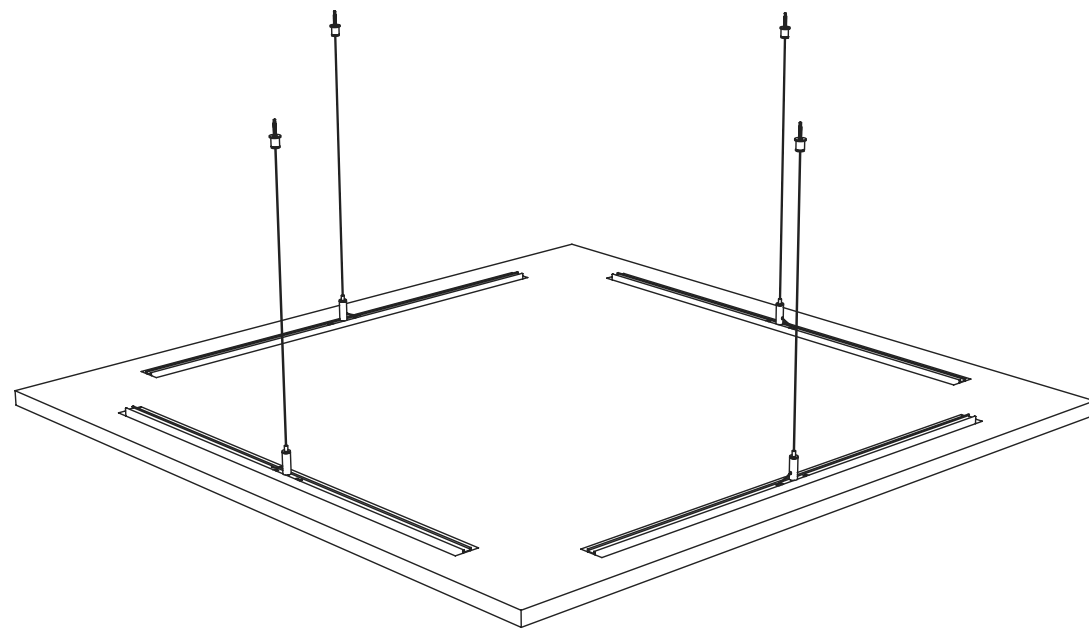
Install as per Autex recommendations. Installation instructions are included in each pack or available on the website www.autexindustries.com

HORIZON RECTANGLE PACK CONTENTS

Shapes / pack	1
Suspension sets / pack (B,2XC,D)	2
Channel lengths reqd/ pack (A)	2 x 7.21' 2 x 2.62'
Required number of: Clips (E) Suspension Magnets (F) Ceiling Grid Hangers (G). For Direct fixing /wall mounting or alternative suspension methods / pack	8

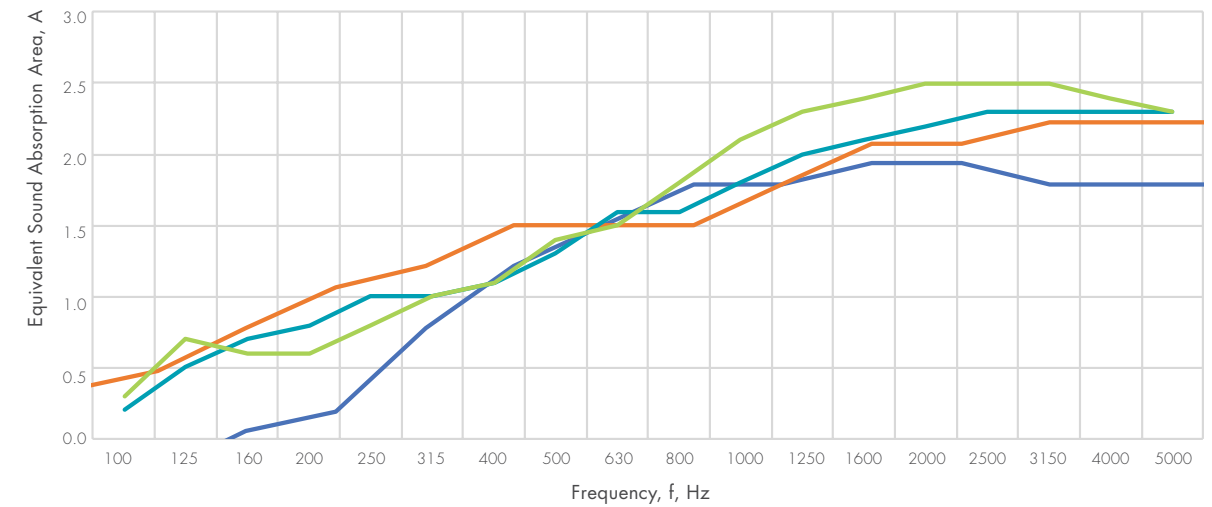
HORIZON™

DESIGN OPTIONS



DESIGN SQUARE COLOR SEE PAGE 27 FOR FULL COLOR RANGE

EQUIVALENT ABSORPTION AREA ACCORDING TO ISO 354.



	University of Auckland Test report Number	125	250	500	1000	2000	4000	Per Unit
Horizon Square Direct Fixed on Clips	T1805-2	0.2	0.5	1.3	1.7	1.7	1.6	1.3
Horizon Square Suspended 8"	T1805-14	0.2	1	1.5	1.7	2	2.1	1.6
Horizon Square Suspended 16"	T1805-13	0.5	1	1.3	1.8	2.2	2.3	1.6
Horizon Square Suspended 32"	T1805-12	0.7	0.8	1.4	2.1	2.5	2.4	1.7

All results are reported in Metric Sabin - per unit. Equivalent sound absorption according to ISO 354 measurement of sound absorption in a reverberation room. Average Absorption (Sabins per unit) calculated at one-third octave bands centered on 250 Hz, 500 Hz, 1000 Hz and 2000 Hz. and rounded to the nearest 0.05.

PRODUCT SPECIFICATIONS

Product Name	Horizon™ Square
Composition	100% Polyester Fibre; Aluminium Channel
Panel Dimensions	3.93' x 3.93'
Tolerance	(+0.2") (+0.2")
Thickness	1"
Tolerance	(+/- 6%)
Weight	15.07 oz/ft ²

INSTALLATION

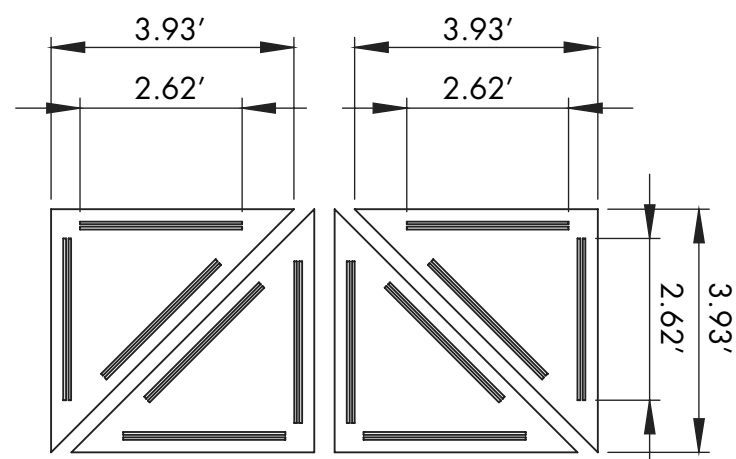
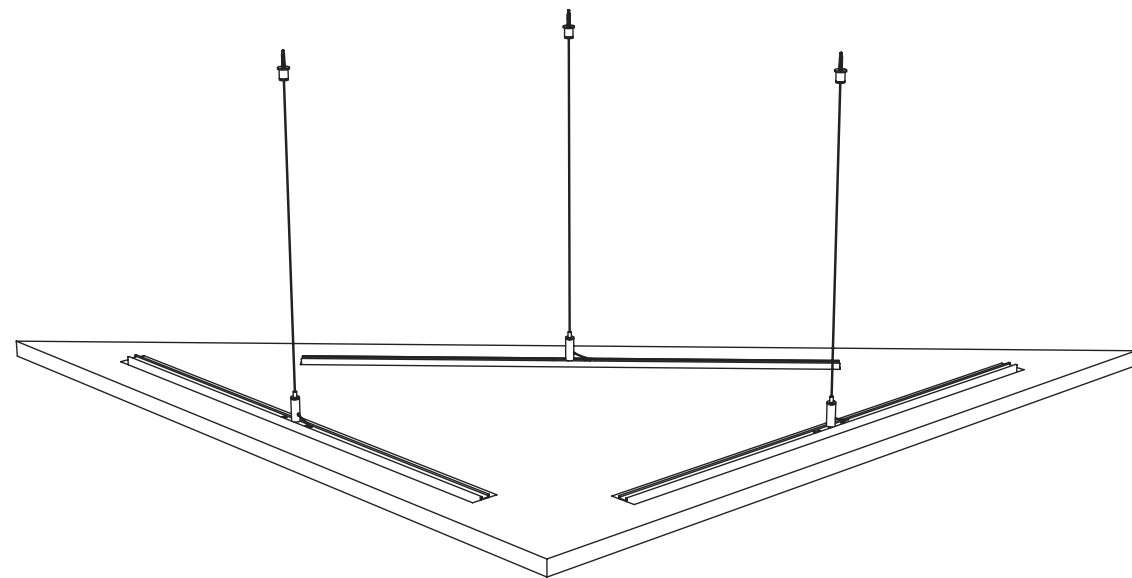
Install as per Autex recommendations.
Installation instructions are included in each pack or available on the website www.autexindustries.com

HORIZON SQUARE PACK CONTENTS

Shapes / pack	2
Suspension sets / pack (B,2XC,D)	4
Channel lengths reqd/ pack (A)	8 x 2.62'
Required number of: Clips (E) Suspension Magnets (F) Ceiling Grid Hangers (G). For Direct fixing /wall mounting or alternative suspension methods / pack	8

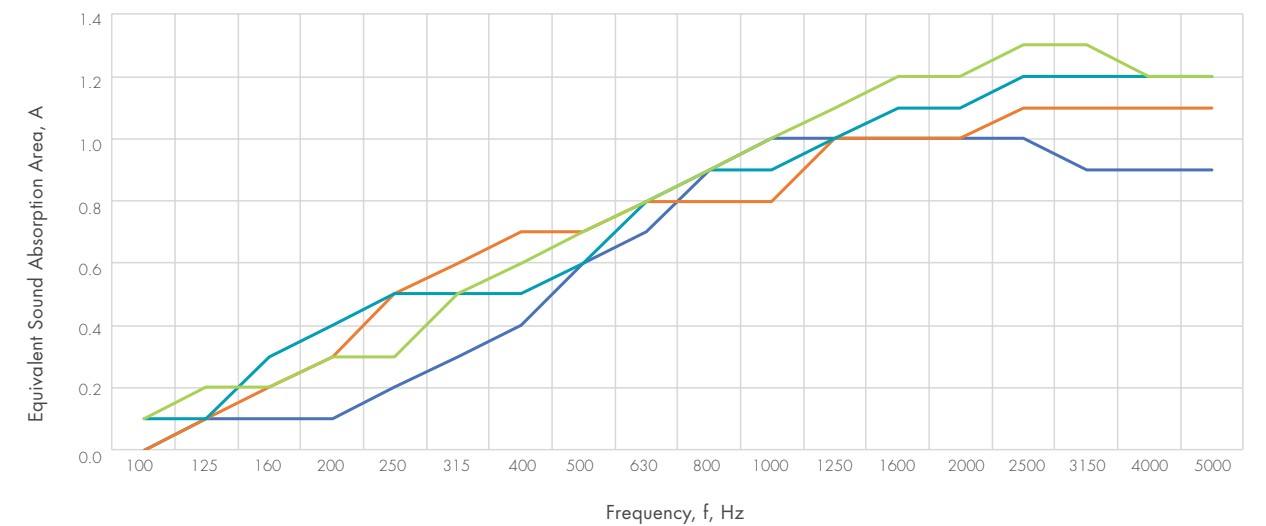
HORIZON™

DESIGN OPTIONS



DESIGN RIGHT ANGLE TRIANGLE COLOR SEE PAGE 27 FOR FULL COLOR RANGE

EQUIVALENT ABSORPTION AREA ACCORDING TO ISO 354.



	University of Auckland Test report Number	125	250	500	1000	2000	4000	Per Unit
Horizon Right Angle Triangle Direct Fixed on Clips	T1805-3	0.1	0.2	0.6	1	1	0.9	0.7
Horizon Right Angle Triangle Suspended 8"	T1805-19	0.1	0.5	0.7	0.8	1	1.1	0.8
Horizon Right Angle Triangle Suspended 16"	T1805-20	0.1	0.5	0.6	0.9	1.1	1.2	0.8
Horizon Right Angle Triangle Suspended 32"	T1805-10	0.2	0.3	0.7	1	1.2	1.2	0.8

All results are reported in Metric Sabin - per unit. Equivalent sound absorption area according to ISO 354 measurement of sound absorption in a reverberation room. Average Absorption (Sabins per unit) calculated at one-third octave bands centered on 250 Hz, 500 Hz, 1000 Hz and 2000 Hz. and rounded to the nearest 0.05.

PRODUCT SPECIFICATIONS

Product Name	Horizon™ Right Angle Triangle
Composition	100% Polyester Fibre; Aluminium Channel
Panel Dimensions	3.93' x 3.93'
Tolerance	(+0.2") (+0.2")
Thickness	1"
Tolerance	(+/- 6%)
Weight	15.07 oz/ft ²

INSTALLATION

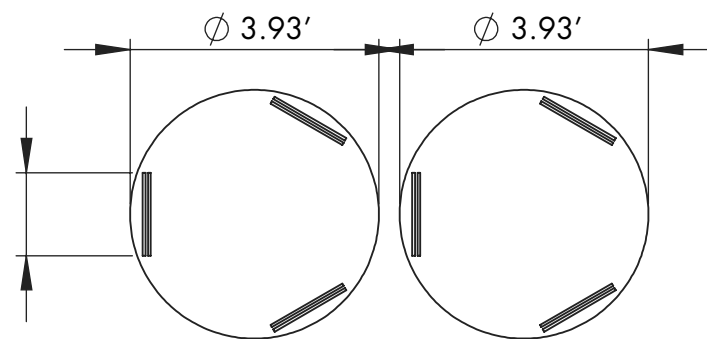
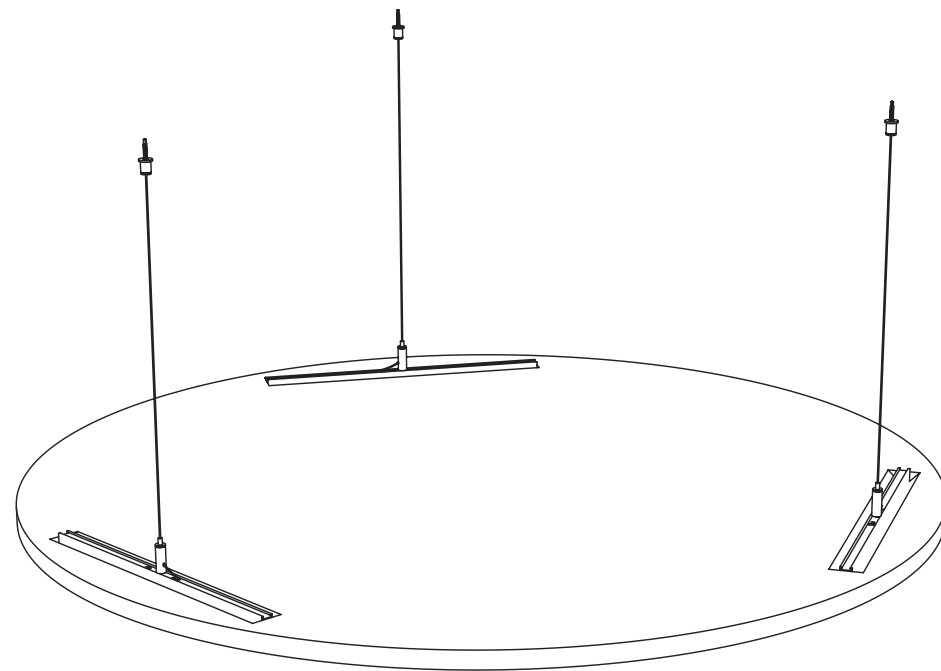
Install as per Autex recommendations.
Installation instructions are included in each pack or available on the website www.autexindustries.com

HORIZON RIGHT ANGLE TRIANGLE PACK CONTENTS

Shapes / pack	4
Suspension sets / pack (B,2XC,D)	6
Channel lengths reqd/ pack (A)	12 x 2.62'
Required number of: Clips (E)Suspension Magnets (F) Ceiling Grid Hangers (G). For Direct fixing /wall mounting or alternative suspension methods / pack	12

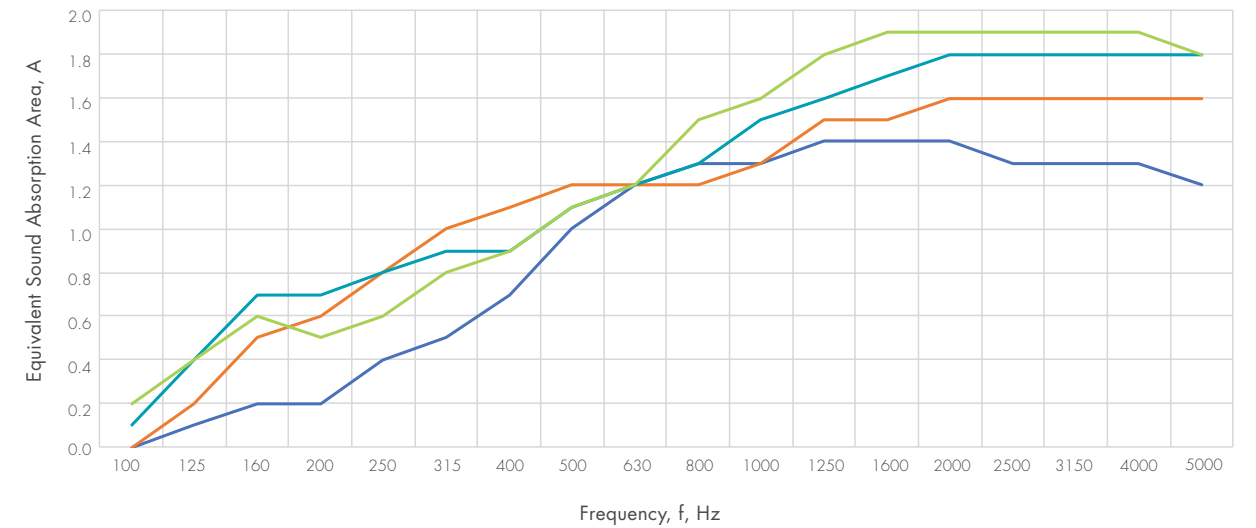
HORIZON™

DESIGN OPTIONS



DESIGN CIRCLE COLOR SEE PAGE 27 FOR FULL COLOR RANGE

EQUIVALENT ABSORPTION AREA ACCORDING TO ISO 354.



	University of Auckland Test report Number	125	250	500	1000	2000	4000	Per Unit
Horizon Circle Direct Fixed on Clips	T1805-5	0.1	0.4	1	1.3	1.4	1.3	1.0
Horizon Circle Suspended 8"	T1805-15	0.2	0.8	1.2	1.3	1.6	1.6	1.2
Horizon Circle Suspended 16"	T1805-16	0.4	0.8	1.1	1.5	1.8	1.8	1.3
Horizon Circle Suspended 32"	T1805-9	0.4	0.6	1.1	1.6	1.9	1.9	1.3

All results are reported in Metric Sabin - per unit. Equivalent sound absorption according to ISO 354 measurement of sound absorption in a reverberation room. Average Absorption (Sabins per unit) calculated at one-third octave bands centered on 250 Hz, 500 Hz, 1000 Hz and 2000 Hz. and rounded to the nearest 0.05.

PRODUCT SPECIFICATIONS

Product Name	Horizon™ Circle
Composition	100% Polyester Fibre; Aluminium Channel
Panel Dimensions	3.93' Dia
Tolerance	(+0.2")
Thickness	1"
Tolerance	(+/- 6%)
Weight	15.07 oz/ft ²

INSTALLATION

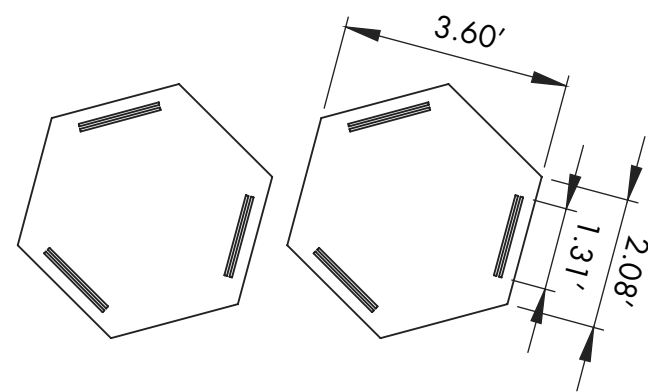
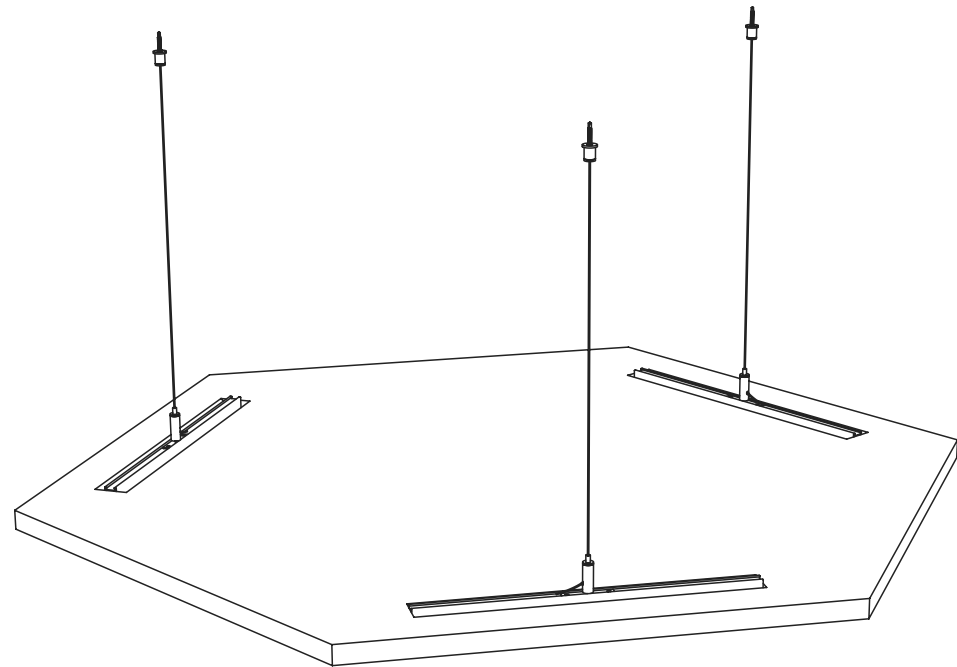
Install as per Autex recommendations.
Installation instructions are included in each pack or available on the website www.autexindustries.com

HORIZON CIRCLE PACK CONTENTS

Shapes / pack	2
Suspension sets / pack (B,2XC,D)	3
Channel lengths reqd/ pack (A)	6 x 1.31'
Required number of: Clips (E) Suspension Magnets (F) Ceiling Grid Hangers (G). For Direct fixing / wall mounting or alternative suspension methods / pack	6

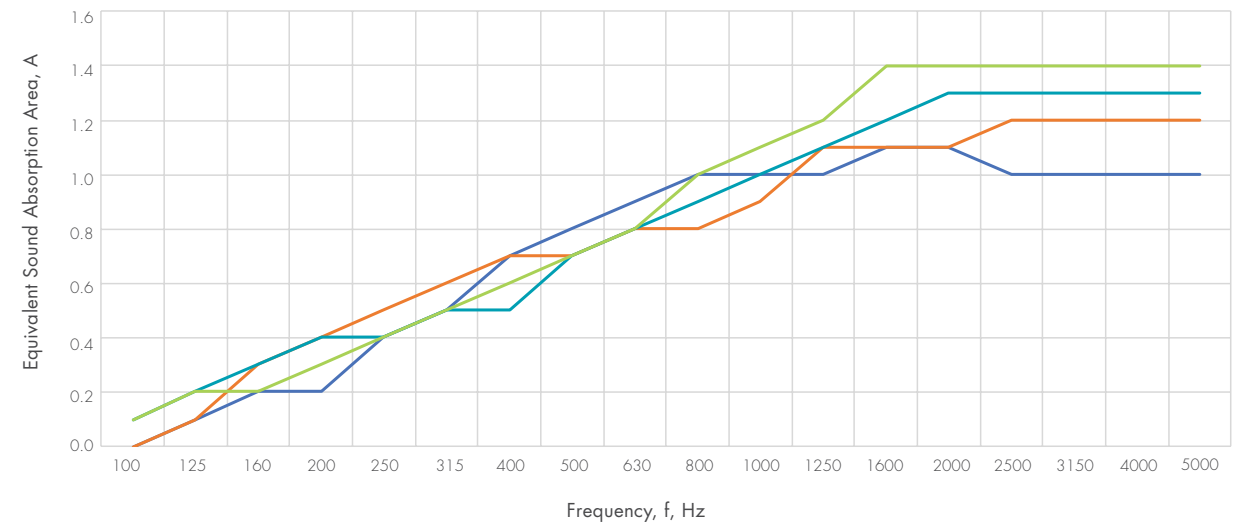
HORIZON™

DESIGN OPTIONS



DESIGN HEXAGON COLOR SEE PAGE 27 FOR FULL COLOR RANGE

EQUIVALENT ABSORPTION AREA ACCORDING TO ISO 354.



	University of Auckland Test report Number	125	250	500	1000	2000	4000	Per Unit
Horizon Hexagon Direct Fixed on Clips	T1805-4	0.1	0.4	0.8	1	1.1	1	0.8
Horizon Hexagon Suspended 8"	T1805-18	0.1	0.5	0.7	0.9	1.1	1.2	0.8
Horizon Hexagon Suspended 16"	T1805-17	0.2	0.4	0.7	1	1.3	1.3	0.9
Horizon Hexagon Suspended 32"	T1805-8	0.2	0.4	0.7	1.1	1.4	1.4	0.9

All results are reported in Metric Sabin - per unit. Equivalent sound absorption area according to ISO 354 measurement of sound absorption in a reverberation room. Average Absorption (Sabins per unit) calculated at one-third octave bands centered on 250 Hz, 500 Hz, 1000 Hz and 2000 Hz. and rounded to the nearest 0.05.

PRODUCT SPECIFICATIONS

Product Name	Horizon™ Hexagon
Composition	100% Polyester Fibre; Aluminium Channel
Panel Dimensions	3.60' across the flats
Tolerance	(+0.2")
Thickness	1"
Tolerance	(+/- 6%)
Weight	15.07 oz/ft ²

INSTALLATION

Install as per Autex recommendations.
Installation instructions are included in each pack or available on the website www.autexindustries.com

HORIZON HEXAGON PACK CONTENTS

Shapes / pack	2
Suspension sets / pack (B,2XC,D)	3
Channel lengths reqd/ pack (A)	6 x 1.31'
Required number of: Clips (E) Suspension Magnets (F) Ceiling Grid Hangers (G). For Direct fixing / wall mounting or alternative suspension methods / pack	6



FREEDOM TO SUSPEND IN
MULTIPLE WAYS

Play with suspension heights creating depth
and perspective

HORIZON™
DESIGN: CUSTOM
COLOR: PAVILION



HORIZON™

CUSTOMIZATION

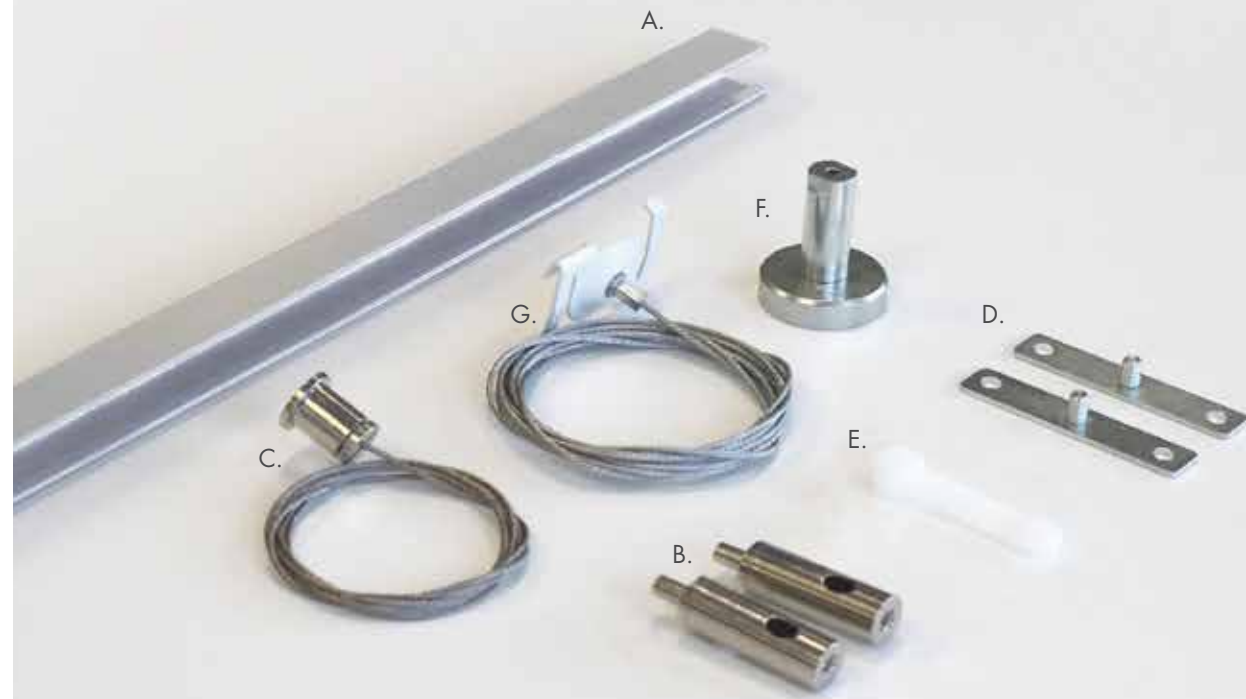
At Autex we understand that no two projects are the same, so why should the products and services going into them be? We are proud of our ability to customize any of our products to create a bespoke solution to meet your brief.

We are manufacturers, engineers and creatives; and with innovation at the forefront of our practice, we have the capacity to transform our products to create truly unique acoustic solutions for your space.

If you have an idea, let's work together to make it happen. Get in touch with your Account Manager or visit our website www.autexindustries.com/contact-us

SUSPENSION KIT

When you order Horizon™ (unless additional pieces are ordered) you will receive an Autex suspension kit with parts specific to your Horizon set. Below is a breakdown of a standard suspension kit and the additional pieces available to support the different installation techniques.



PARTS SUPPLIED

Frontier™ Channel (A)
Part Number: RAFNEX

Attachment Set (B, 2x C, D)
Part Number: RAHVAS

ADDITIONAL PARTS

Clips (E)
Part Number: RAFTCC

Suspension Magnet (F)
Part Number: RAMALS1

Ceiling Grid Hanger (G)
Part Number: RADCLS12

COLOR OPTIONS



MOQ's apply to some colors. To find out more, or to order a sample, please contact your Account Manager or visit our website.

LIGHT REFLECTANCE VALUES BY COLOR

LRVs were measured in accordance with BS 8493:2008+A1:2010

Pavilion	78
Opera	49
Savoye	47
Senado	45
Rosada	45
Acros	42
Falling Water	36
Bosco	29
Flatiron	25

FIRE RATINGS

Horizon™ is a value-added product made from Autex Cube™ as the base material. Cube™ has been evaluated using the following test methods:

ISO 9705: 1993

Classification: Group 1-S
Smoke Production Rate: <5.0m²/s
As required by NZBC C/VM2

AS ISO 9705 - 2003

Australian Group Number: Group 1
SMOGRARC: less than 100m²/s²

Tested using methodology AS ISO 9705:2003 in accordance with AS 5637.1:2015, as required by BCA Specification C1.10-4.
FAR 4055-2 dated 8th October, 2013

ASTM E-84-15a

Class A, FS:0 - SD:65
RJ4479-1 dated 25th January, 2016

VOC EMISSIONS

Autex polyester has been tested for chemical emissions in accordance with ASTM D5116 and is considered as a low VOC product. VOC concentration: 0.009 mg/m³ (7 days)

WATER VAPOR SORPTION

ASTM C1104 / C1104M-13a
Test conditions: 49°C, 95%RH
Water vapor absorbed and adsorped after 4 days: 0.4% by weight

MICROBIAL RESISTANCE

ASTM G21-15
Growth Rating: 0 (No growth)

Horizon does not promote the growth of moulds and mildew.

COLOR FASTNESS TO LIGHT

Horizon is suitable for indoor use only. Light fastness is dependent on use and exposure. Horizon™ has been evaluated to the following standard:

ISO 105-B02:2014
Rating: 6 (Highest = 7)

Zenith	22
Lotus	16
Galaxy	16
Iron Bank	13
Pinnacle	8
Empire	6
Tree House	3
Petronas	2

COLOR FASTNESS TO RUBBING

ISO 105-X12:2016
Dry Rating: 4-5 (Highest = 5)
Wet Rating: 4-5 (Highest = 5)

PATTERN REPEAT

Non-woven. No pattern repeat but product has directional grain. Product may vary from samples and batch to batch due to fibre blending and lay-up which is an inherent feature of this product.

FABRIC CARE

Blot spills from fabric quickly. Wipe with a damp cloth. Avoid rubbing and excessive amounts of water as this will affect the finish. Use carpet or upholstery shampoo as directed. Blot with a clean dry cloth after each application of solution. Horizon™ is made from 1" Cube™. Custom printed Cube requires the services of a specialist cleaning company. Refer to the Horizon Cleaning & Maintenance Guide for more information.

ENVIRONMENTAL

Autex is committed to best practice through our ISO 9001 and ISO 14001 certified Quality and Environmental Management Systems.

Horizon contains a minimum of 45% previously recycled polyester fibre (from PET bottle-flake). Off-cuts and manufacturing waste are re-used or recycled wherever possible.

Horizon is manufactured from 100% polyester fibres and does not contain formaldehyde binders. Autex polyester fibres support safer indoor air quality and will not become a potential airborne pollutant.

SERVICE

For further information about Horizon, please contact your Autex Account Manager or visit our website.

Horizon is proudly manufactured in New Zealand by Autex Industries Ltd and Australia by Autex Pty Ltd.





CARING FOR THE ENVIRONMENT

Horizon™ is manufactured using 100% polyester fibre and contains a minimum of 45% previously recycled fibre (from PET plastics). Our products are designed to be recycled at the end of their life too.

We use Life Cycle Analysis (LCA) to understand the environmental impacts of our products and set targets to reduce these. All our products have been verified as low VOC and are free from chemical binders making them great for indoor environmental quality (IEQ).

We have continual improvement programmes in which we implement a range of initiatives to mitigate the environmental 'hotspots' that we have identified. Our products are GreenRate Level A, LCARate Gold and PHD level platinum certified.

Horizon™ is made from Cube™ which is Declaresm certified to be Red List free and can be used in Living Building Challenge projects. Autex has a high functioning Environmental Management System (ISO 14001) to enhance our environmental performance and contribute to sustainable development.



Declare.



**Autex Acoustics
Asia Sdn. Bhd**

03-05, Indah Walk 3,
Japan Indah 15,
Taman Bukit Indah,
79100, Iskandar Puteri,
Johor

www.autexacoustics.asia

Autex Industries Ltd

702-718 Rosebank Rd,
Private Bag 19988,
Avondale 1746, Auckland,
New Zealand

Freephone **0800 428 839**
Phone **+64 9 828 9179**
Fax **+64 9 828 5810**

www.autex.co.nz

Autex Australia Pty Ltd

166 Bamfield Road,
PO Box 5099,
West Heidelberg, Melbourne,
VIC 3081, Australia

Freephone **1800 678 160**
Phone **+61 3 9457 6700**
Fax **+61 3 9457 1020**

www.autex.com.au

Autex Acoustics Ltd

Unit J4, Lowfields Way,
Lowfields Business Park,
Elland, West Yorkshire,
HX5 9Da,
United Kingdom

Phone **+44 (0) 1422 418899**

www.autexacoustics.co.uk

Autex Acoustics LLC

4136 Del Rey Ave
Marina Del Rey, CA 90292
United States of America
Phone **+1 (310) 490 1591**

www.autexacoustics.com