

# Ecoustic<sup>®</sup> Domino

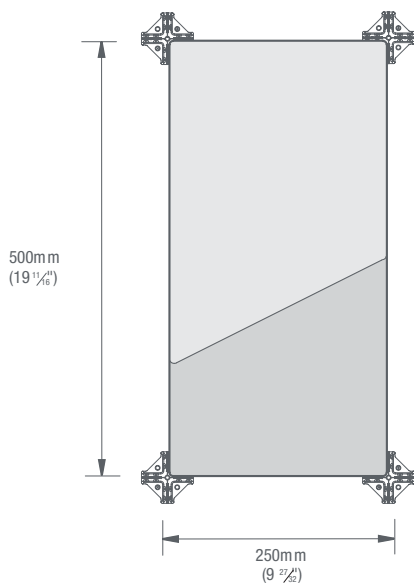
—  
A dynamic modular tile designed to  
provide quality sound absorption



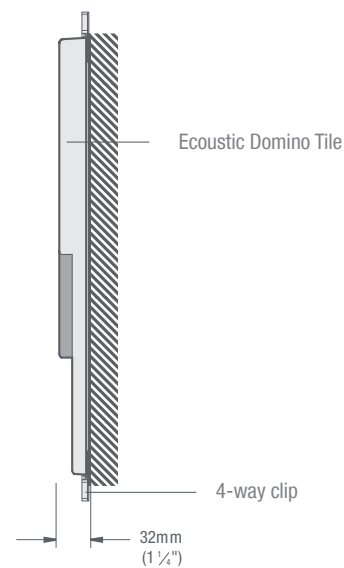
INSTYLE

# Ecoustic® Domino Wall Tile

Front View



Side View

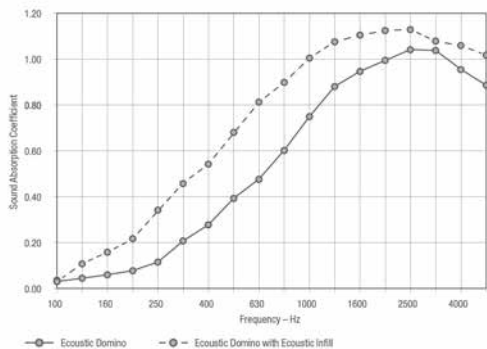


**PRODUCT** Ecoustic® Domino Tile

**DESCRIPTION** A dynamic three dimensional tile designed to provide quality sound absorption

**DIMENSIONS** 250mm (w) x 500mm (h) x 32mm (d)

**ACOUSTIC**  $\alpha_w$  0.40(MH) / NRC 0.55  
 $\alpha_w$  0.65(MH) / NRC 0.80 (Ecoustic® Infill increases sound absorption by 50%)



**FIRE TEST** AS/NZS 1530.3

Ignitability	9
Spread of Flame	0
Heat Evolved	3
Smoke Developed	6

ISO 5660-1 NZBC Group 3  
 Average Specific Extinction Area 382m<sup>2</sup>/kg

GB8624-2012 Grade B1

**APPLICATION** wall + ceiling (must be glued)

**ORIGIN** Made in Australia

Please contact your representative for CAD drawings

## BENEFITS

**Lightweight, Easy to Handle + Install:** Position the 4-way clips using the template provided, then simply press the tile into place. The design can be easily extended at a later stage.

### Designed for the Environment

- Based on low energy manufacturing
- 100% polyester (up to 23% PC + PI recycled content)
- Designed for disassembly + recyclable
- Low-VOC, EPD + Greentag Level A Certified

**Warranty:** A 12 month warranty is provided against manufacturing defects. Internal installation only, outdoor use will void any warranty.

**Building Rating Systems:** Domino will contribute the following points for Green Star, LEED + WELL building standards.

Criteria	Green Star	LEED	WELL
Recycled Content	✓	✓	NA
Low VOC	✓	✓	✓
Recycling Program	✓	✓	NA
EPD	✓	✓	NA
Third Party Greentag Level A Certification	✓	✓	✓
Toxic Material Reduction	NA	NA	✓
Sound Reducing Surfaces	NA	NA	✓

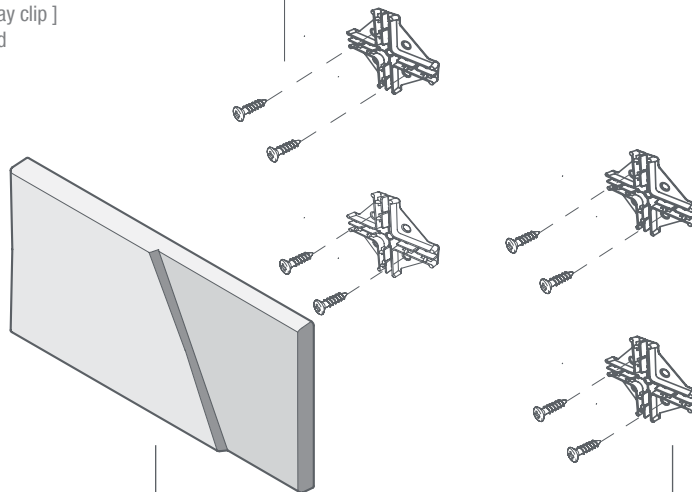
## HOW TO SPECIFY

<b>DESIGN</b>	Ecoustic® Domino Tile
<b>COLOUR</b>	Select from Ecoustic® Felt colours
<b>ECOUSTIC® INFILL</b>	Optional extra - order separately

# Ecoustic® Domino Wall Tile Components

## Screws

Flat-head c/sunk 25mm (1") 10g  
[ 2 per 4-way clip ]  
Not supplied

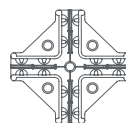


## Ecoustic® Domino Tile

100% polyester (up to 23% recycled content)  
16 tiles per box in a single colour

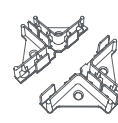
## 4 way clip

Clear ABS  
16 + 1 spare 4-way clips are supplied with each box  
Single clip template is included in each box



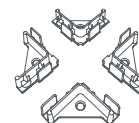
### Complete

Use a complete clip for each junction of 4 tiles



### Half

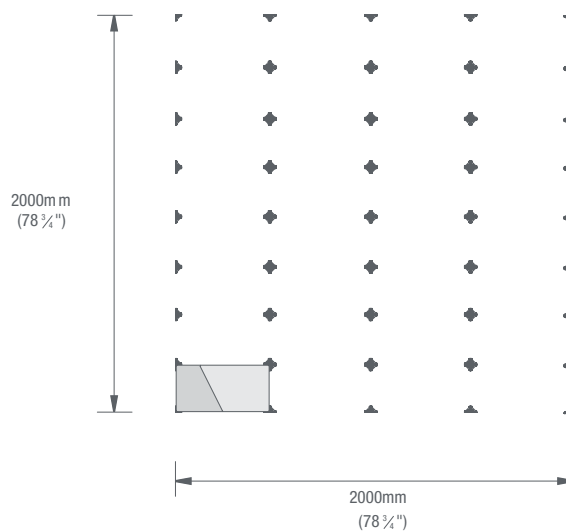
Break a clip in half for each straight edge 2 tile joins



### Quarter

Break clip into quarters for each single tile corner

## Example 2m x 2m Clip Layout



Product may vary in colour due to the nature of the media  
Please refer to website for current colour range

Variation in fibre mix and colour is an inherent feature of this product and variation from batch to batch may occur