

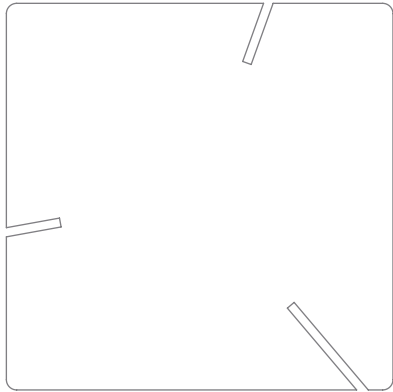
Ecoustic® Float Installation + Care



INSTYLE

Components

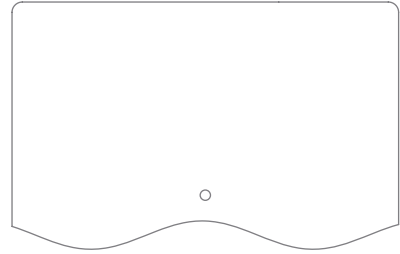
SUPPLIED IN EACH BOX



FLOAT PANELS

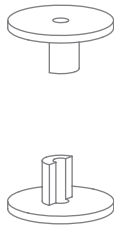
Available in 7 colourways

Sold in boxes of 15 pieces per colour



FLOAT DRILLING TEMPLATE

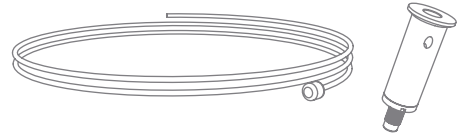
To position central drilling hole for panel suspension



FLOAT ESCUTCHEONS

To cover panel suspension holes from both sides of suspension panels

6 escutcheons per box (to cover 3 suspension panel holes)



SUSPENSION CABLE SET

3 cable sets per box

Ecoustic® Float Installation

ASSEMBLY INSTRUCTIONS

Step 1

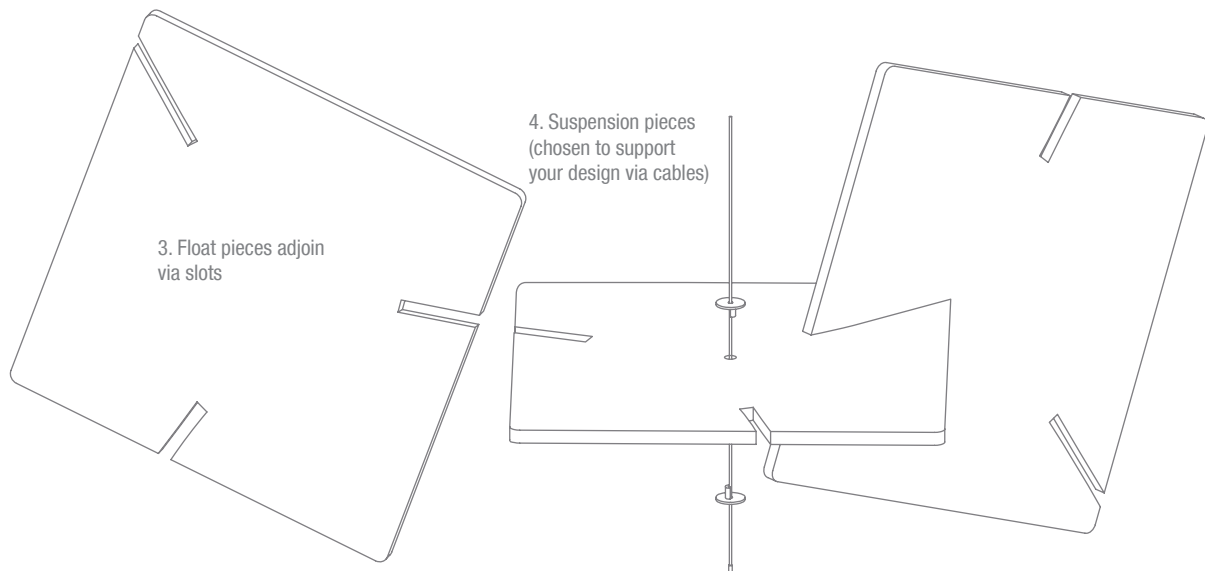
Determine the number and position of pieces to be used to suspend your Float design

Step 2

Select the pieces that require suspension and drill an 8mm (5/16") diameter centre hole in each suspension panel using the template provided to mark panel centre point. Only pieces that need suspension cables should be drilled

Step 3

Adjoin pieces to create your Float design via any of the slots within each piece



Step 4

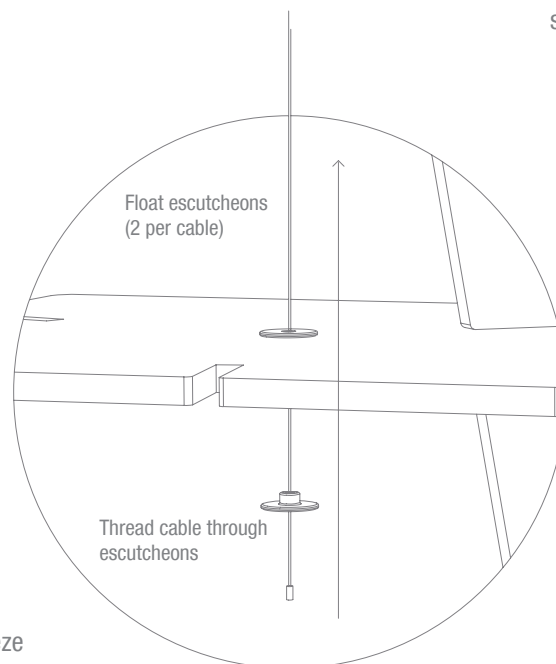
Position escutcheons within face surfaces of each drilled Float piece for suspension

Step 5

Thread cables provided through escutcheons

Step 6

Secure cable supports to intended building surface (eg. internal ceiling) via suitable fasteners



Step 7

Adjust cables to desired length via squeeze clutch within cable support and cut/remove excess cable

Ecoustic® Float Care

Please Note

- Consideration must be given to any possible effect of the cleaning regime on the underlying glue or backing board. It is recommended that spot cleaning only is used and that it is carried out by a professional cleaner.

Regular Care

- Protect from direct heat and sunlight.
- To prevent dust build up, lightly dust with a soft cloth or vacuum with a soft brush attachment.

Spot Cleaning

- Professional cleaning is always recommended.
- Always test any cleaning products on an inconspicuous area prior to commencing cleaning.
- Blot any excess spills from the material with a dry clean sponge or cloth.
- Treat all stains and spills as soon as possible.
- Most marks can be spot cleaned by lightly wetting the affected area with a mild detergent and warm water solution.
- Do not saturate the panel, screen or felt.
- Do not scrub or abrade the product as this will affect the surface finish.
- Once the stain or mark has been loosened then blot the excess solution out with a dry clean cloth.
- Sponge afterwards with clean warm water and mop any excess moisture with a dry clean sponge or cloth.
- The product can also be spot cleaned with dry cleaning fluid. Lightly sponge a small amount of dry cleaning fluid and blot.
- Dry away from direct heat and sunlight.
- Avoid the use carpet shampoos.