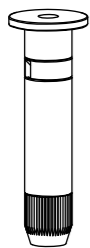
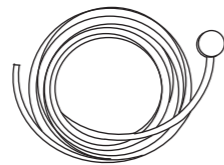


1

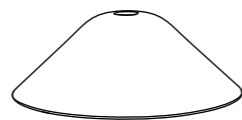
The Kit:



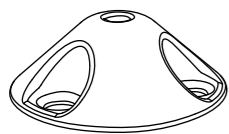
4 X Ceiling fixtures



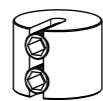
4 X Steel cables



8 X Panel fixture covers



8 X Panel fixtures

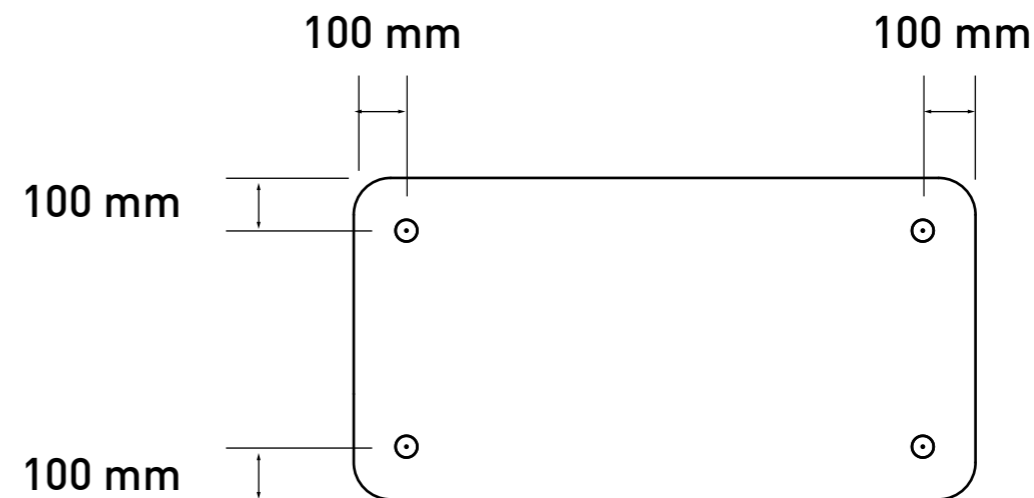


4 X Adjustable cable stoppers



24 X Self-tapping screws

2



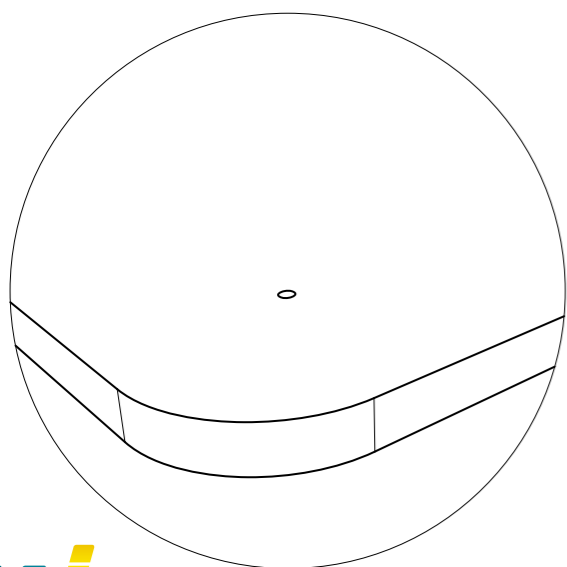
Suggested positioning of the panel fixtures is 100 mm inset from each corner of the panel.

3

If installing two panels one above the other, feeding the cable through the panel is required.

Carefully use a drill to bore a hole of a diameter that is sufficient to feed the 1.5 mm steel cable.

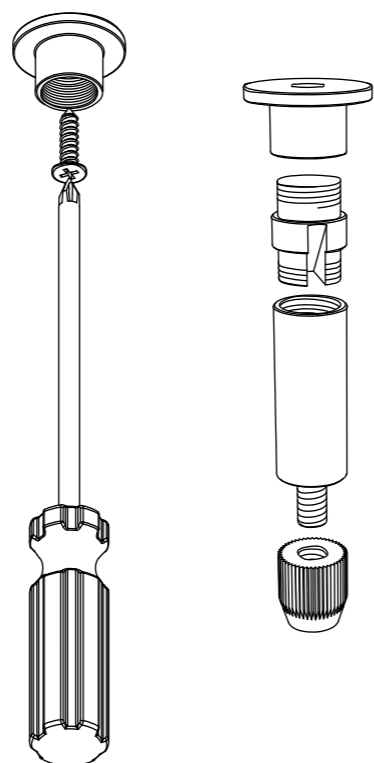
Best results are achieved when the hole is 100 mm inset from the edge of the panel.



4

Undo the top section of the ceiling fixture and screw fix to the ceiling.

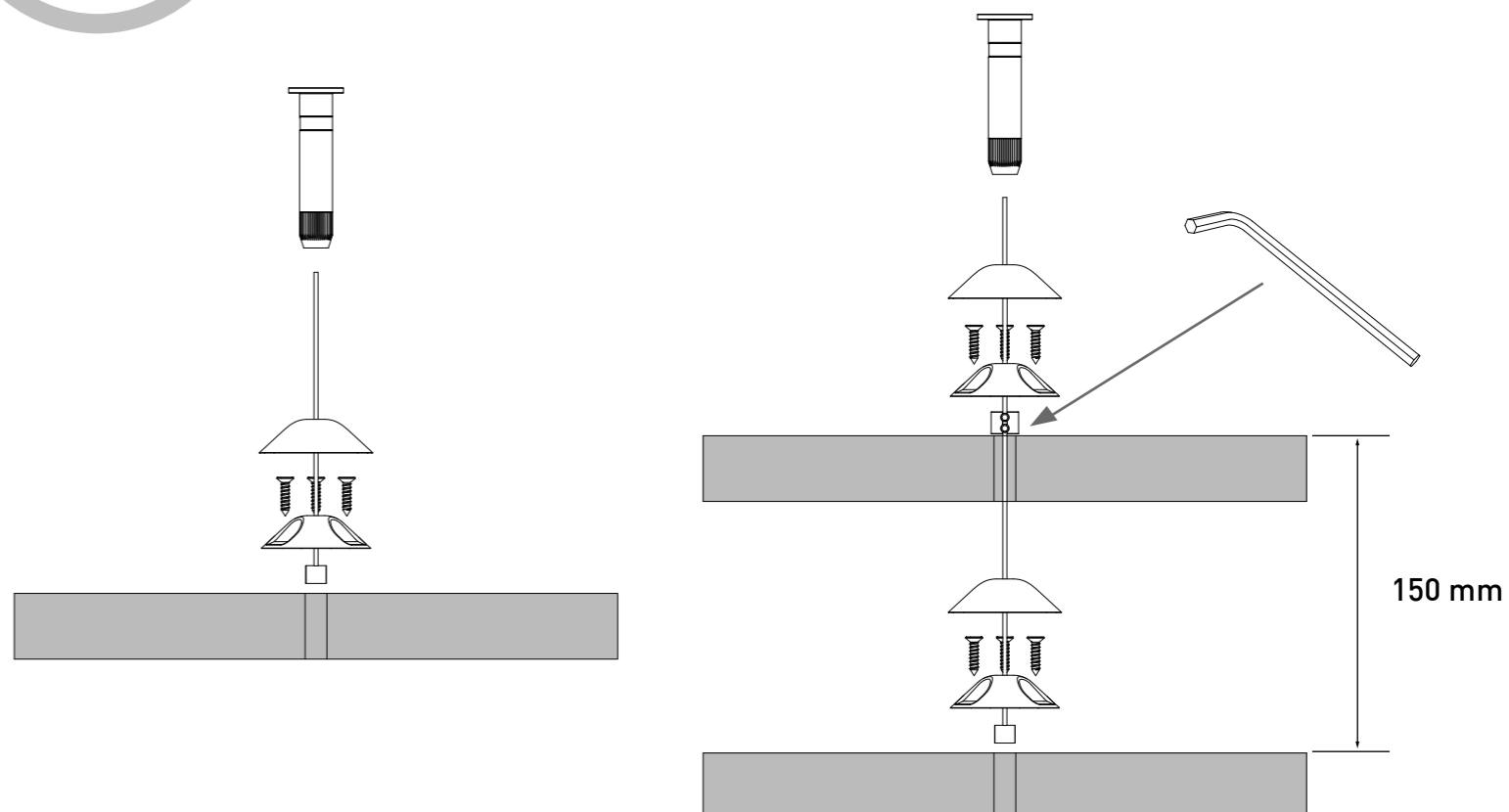
Then re-assemble the fixture.



5

Feed the cable through the panel fixture first, then through the panel fixture cover.

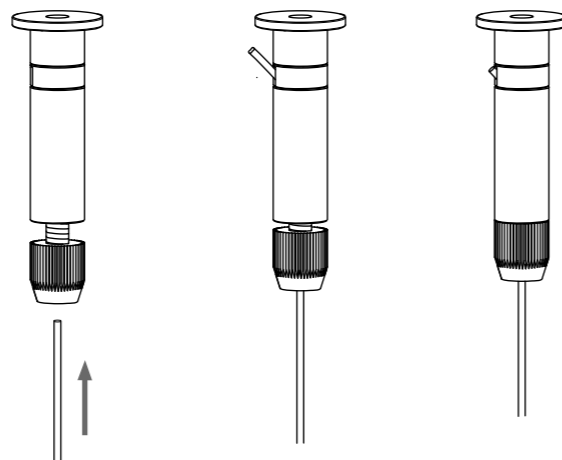
Adjust the vertical gap between each panel to 150 mm.



6

Feed the cable through the ceiling fixture, by undoing and pushing the bottom part of the fixture.

Trim excess cable after the install is complete.

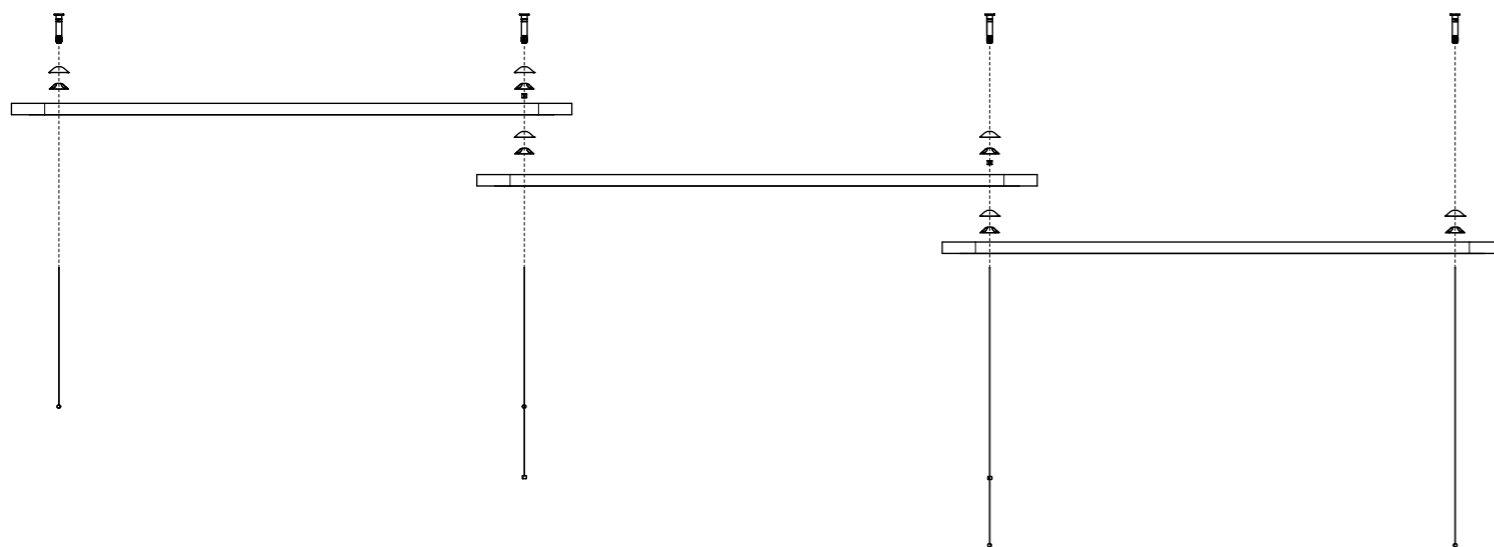


7

Follow the sequence below to proceed to the final install.

Proceed installing the self tapping screws through the panels, ensuring all panel fixtures are correctly located 100 mm in from each corner, as indicated by the pop out cutouts.

Sample image showing 3 panels being used with 3 Horizontal Component Kits.



Cleaning & Care

Regular Care

- Protect from direct sunlight.
- Vacuum regularly using low suction and smooth attachment.

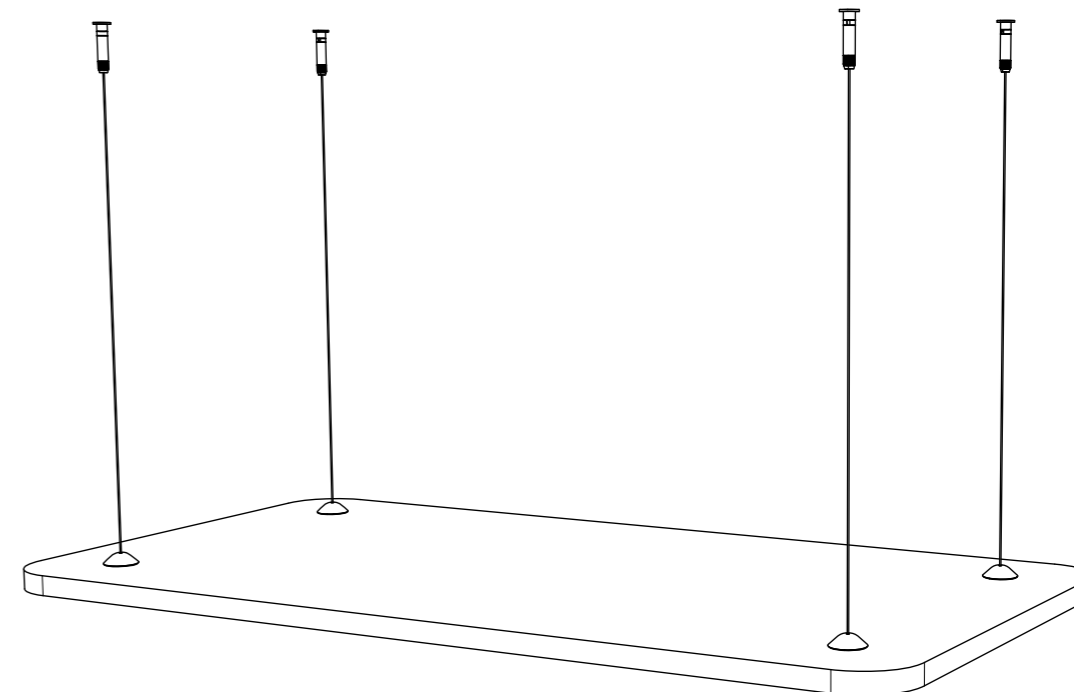
Cleaning

- Professional cleaning recommended.
- Do not shampoo clean.

Spot Cleaning

- Treat spills and stains as soon as possible.
- Avoid concentrated rubbing. Use minimal pressure only.
- Gently scrape soil or mop liquid from the surface of the tile.
- Apply proprietary cleaning agents strictly according to instructions.
- Do not saturate the tile or interior with water or other cleaning liquids.
- May be spot cleaned with dry cleaning solvent.

For more information visit wovenimage.com



Horizontal Component Kit Installation Guide

Specification

- Suspended acoustic ceiling feature (hardware only)
- 2 meters cable max length

Contents of box

- 4 ceiling fixtures
- 4 steel cables (2 meters long each)
- 8 sets of panel fixtures and covers
- 24 self-tapping screws
- 4 adjustable cable stoppers

Please read these instructions before application.

This guide is presented in good faith to help in the installation of Horizontal Component Kit.

Woven Image accepts no responsibility for installation actions taken or not taken. This guide contains recommendations and is not intended as an all-encompassing guide, your knowledge as an experienced tradesperson needs to be applied.

A professional qualified installer is recommended for optimum results.

Pre-Installation Requirements

- No claims will be accepted after the hangers have been installed.
- The hangers should be tested for ceiling suitability and type of fixing required.
- All surfaces must be smooth, clean, dry, dust and mould free.
- Please refer to Woven Image Pty Ltd Terms and Conditions of Trade.