



Small Booth

Your quiet space for undisturbed phone calls and deep work.



Tech Specs Bureau Booth - Small

Capacity	1-Person
Internal Dimensions (mm)	840w x 950d x 2140h
External Dimensions (mm)	1000w x 986d x 2300h
Glass Panels	Double laminated (6mm + 1mm + 4mm)
Door	855mm wide glass door with handle, door type: swing
Furniture Options	Wall-mounted laminated timber veneer shelf & swivel stool
GPO USB Data	Wall-mounted: x2 GPO, x1 USB C and x1 USB
Lighting	1 x 6W LED – 3000k, CRI95+
Ventilation & Airflow	Variable speed fan with integrated acoustic cover
Lighting & Ventilation Operation	Motion sensor with variable speed fan control
Power Usage	10.8 watts
Shell Weight	246kg
Acoustic Treatment	27mm bevel edge acoustic panels (dark grey). Acoustically treated exhaust port and acoustic cover to fan ports

Small Booth / Furniture



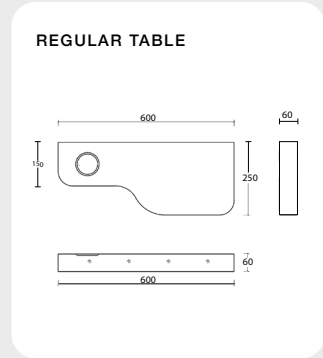
REGULAR TABLE

Table size: 1340 × 400 × 30 mm (height, width, depth).
Material: Birch multi-layer board. Dipping kraft paper fireproof board. **Surface Treatment:** Edge Sealed with Wood Wax Oil.



HEIGHT-ADJUSTABLE SEAT

Material: Standard black fabric upholstery with gas lift foot rest, polycarbonate shell and black vinyl covered cushion.
Surface Treatment: Spray paint, black or white.



Colors

EXTERIOR

STANDARD



INTERIOR



CARPET



Features



QUICK ASSEMBLY



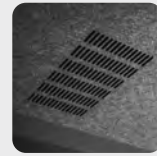
PLUG-&-PLAY TECHNOLOGY



DOUBLE LAMINATED GLASS (6+1+4)MM



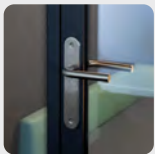
POWDER COATED GLASS EDGE



INTEGRATED VENTILATION



OPTIONAL MOVING KIT



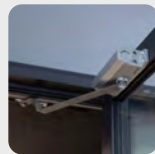
ALUMINIUM LEVER DOOR HANDLE



ALUMINIUM FRAMED DOOR



INTERNAL SWITCHES & SENSORS



HYDRAULIC DOOR CLOSERS

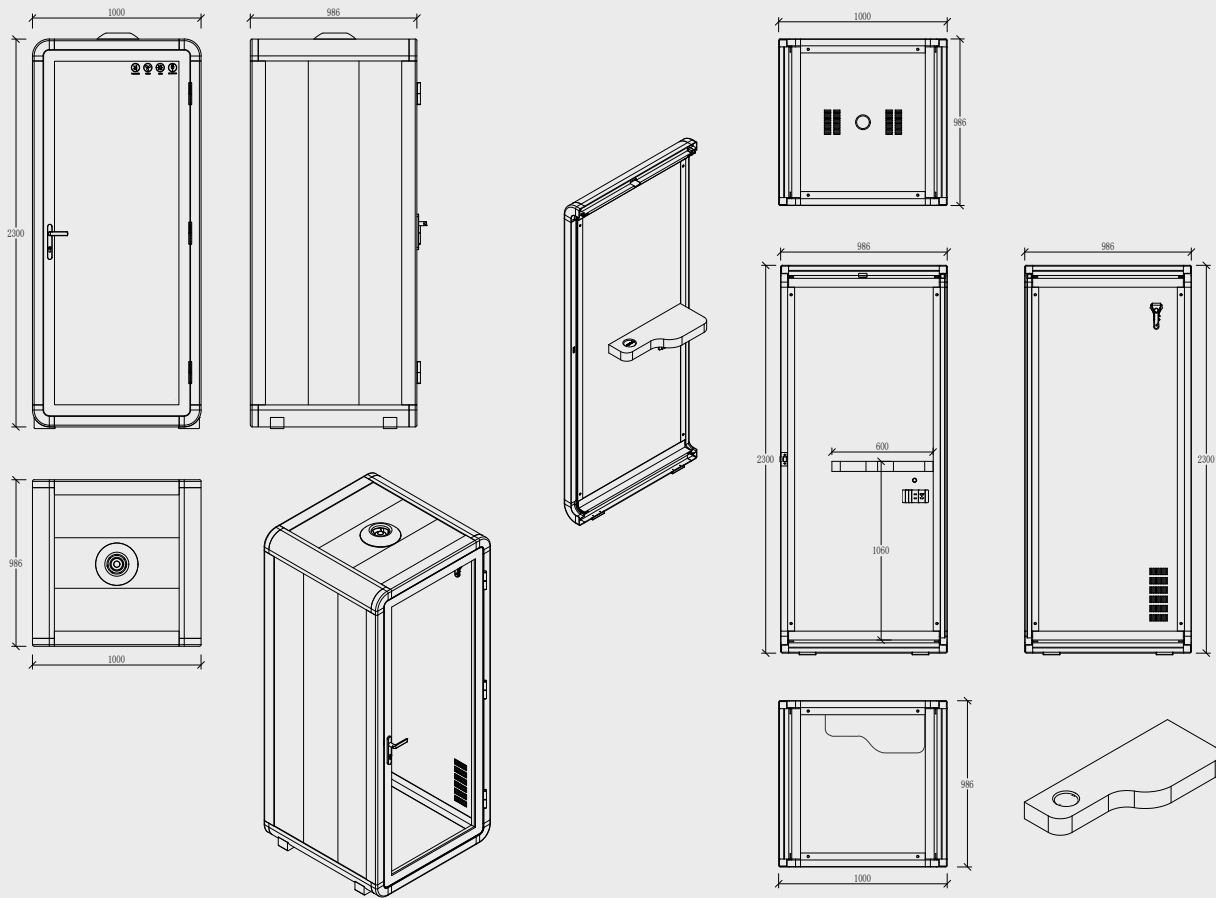


ABILITY TO PORT FIRE SERVICES



ELECTROSTATICALLY COATED HINGES

Small Booth / Dimensions




Power

- INTERNAL** Integrated within wall below desk: x2 GPO & x1 USB-C and x1 USB; Manual switches for adjustable lighting and fan speed
- EXTERNAL** 3 Pin AC Power inlet; Location: Wall back left. Allow 3m cable from back left corner
- SOFT WIRING** Standard AU power double GPO; Voltage:110-220V/50Hz

Ventilation

- VENTILATION FAN** x1 Variable speed fan with acoustic cover; Diameter: 200mm, Silent and Built-in Ventilation System

Acoustics

- SOUND REDUCTION** > 32 dB (Speech level reduction according to ISO 23351-1 testing method) 

Download

[3D MODELS AND RENDERS](#)

[INSTRUCTION MANUAL](#)

[BROCHURE](#)

Certifications

Accessible options; PET Fire Tested; ISO: 9001-2015 Quality Certified; ISO: 14001-2015 Environmental Certified; FSC Certified; AS/NZS 2208: 1996 Certified Glass; UL and CE Certified; Class B Certified Panels; Fire Growth Rate Index 153.2; ASTM E84-19A Tested; Flame Spread Index 15; Smoke Development Index 185

