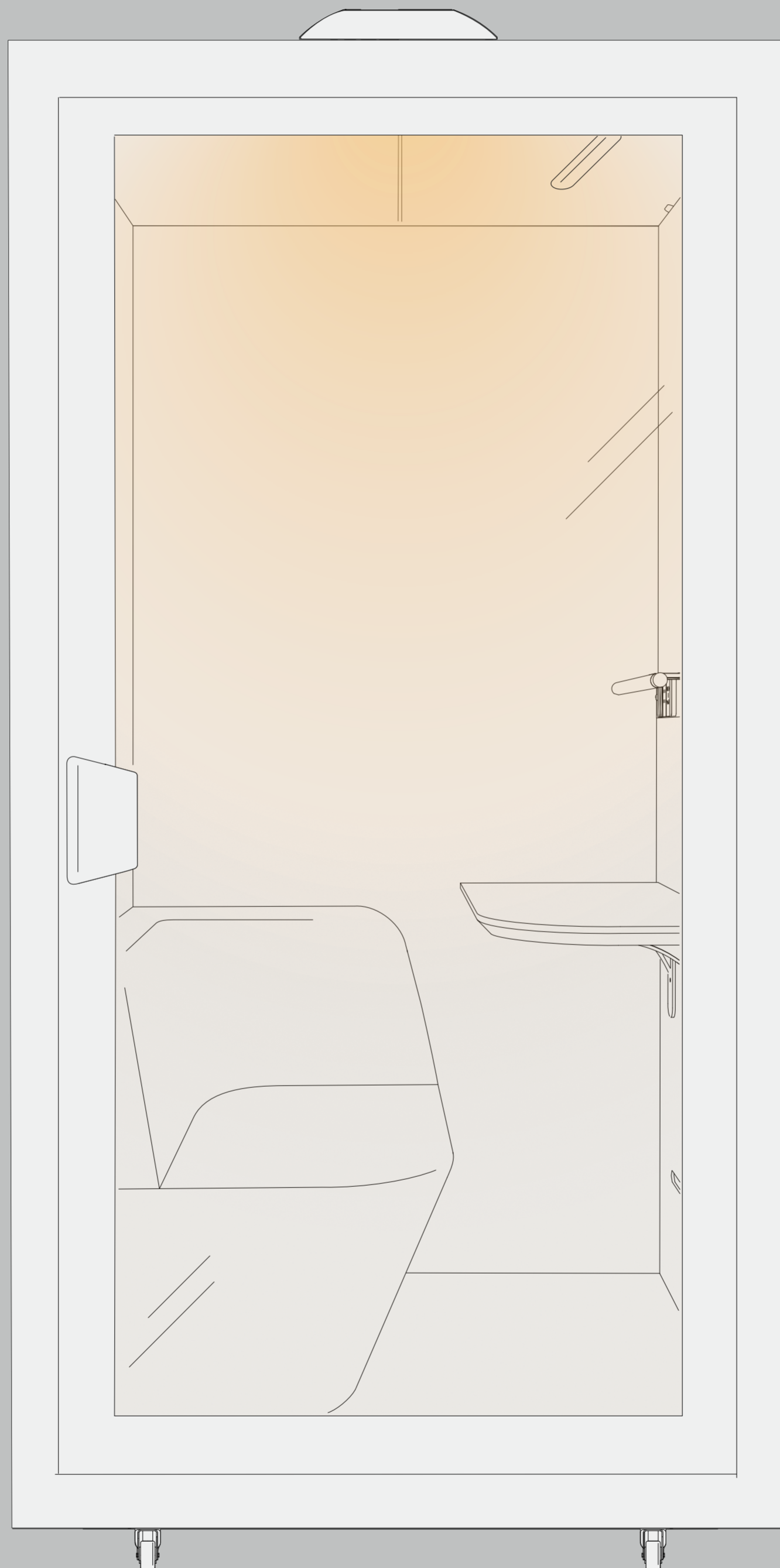


Tuesday



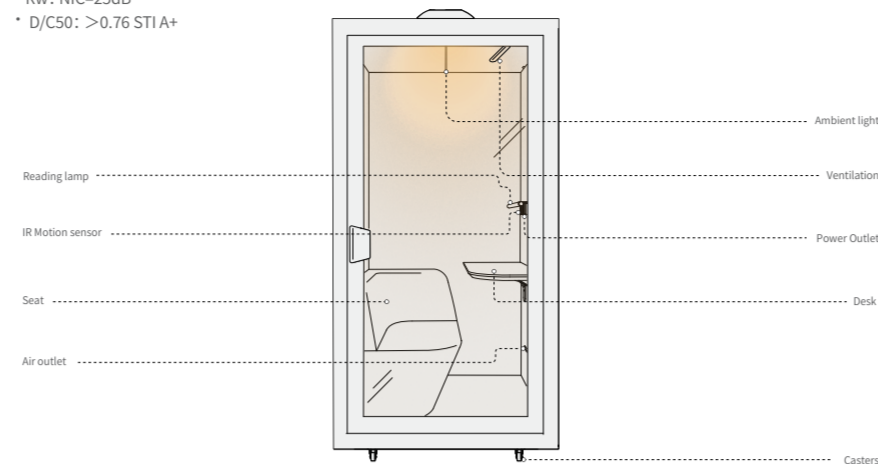
ASSEMBLY MANUAL



USER MANUAL

PRODUCT INTRODUCTION

- Net weight: 198kg
- Gross weight: 246kg
- Ventilation: 30-60m³/h
- Rw: NIC=25dB
- D/C50: >0.76 STIA+



READ BEFORE START

Dear customer, Thanks for choosing our product, please mind these tips below during the installation:

1. Two people should be prepared for the installation;
2. Please use cushioning material for stacking parts after unboxing in case of damaging floor or product;
3. Please don't scratch any part with a sharp tool;
4. Please check all listed tools are prepared;
5. Please check the space for installation is sufficient;
6. Please follow the step by number to build.

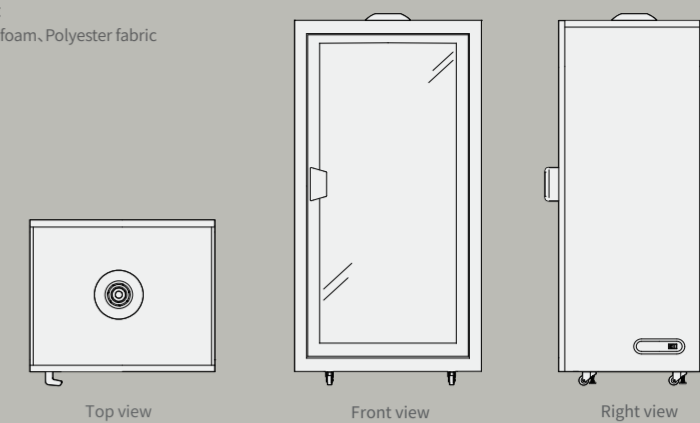
SCAN FOR ASSEMBLY VIDEO:



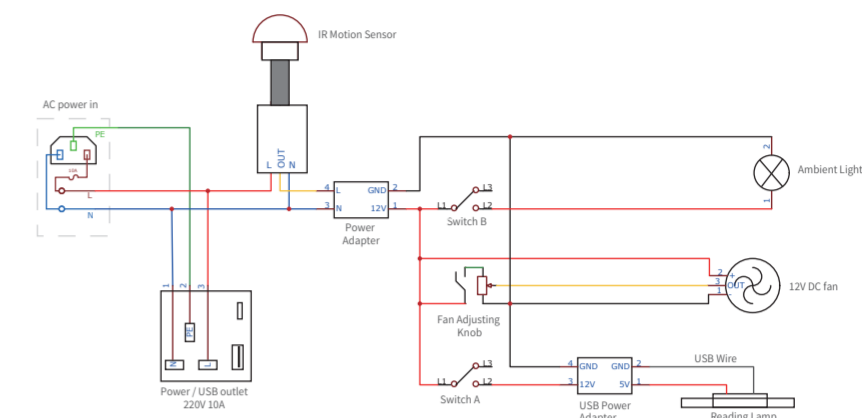
GETTUESDAY.CO

PRODUCT SPECS

- External size: W1100*D900*H2100mm
- Internal size: W994*D793*H1960mm
- Projected area: 0.99m²
- Main material: Carbon acoustic plate, PET acoustic plate, Polyester acoustic fiber, Aluminum, Stainless steel, ABS plastic
- Furniture material: MLB, Polyurethane foam, Polyester fabric



CIRCUIT DIAGRAM



- Input power: 220V, 50hz
- Output power: 220V10A, 5V2.1A
- Maximum power: 1KW
- Ambient Light: 3.5W, 170LM, 4000k
- Reading lamp: 5W, 160LM, 3000K-6500K

- Main part
- Interior
- Furniture
- Accessory
- Tool

Main part			
Code	Description	Qty.	Preview
A-01	Bottom plate	1	
A-02	Left side plate	1	
A-03	Right side plate	1	
A-04	Top plate	1	
A-05	Front frame,door	1	
A-06	Rear plate	1	

Interior			
Code	Description	Qty.	Preview
B-01	Left interior	1	
B-02	Right interior (top)	1	
B-03	Right interior (down)	1	
B-04	Top interior(left)	1	
B-05	Top interior(right)	1	
B-06	Carpet	1	
B-07	Right interior (mid)	1	

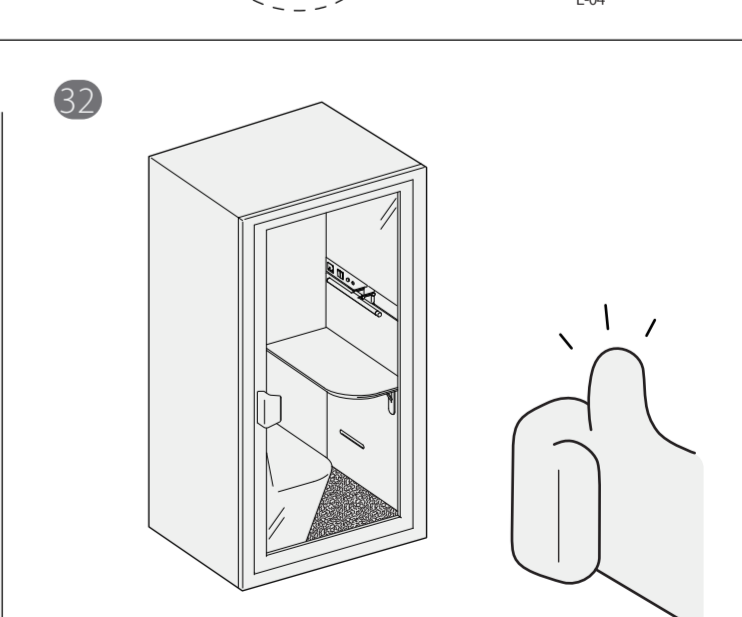
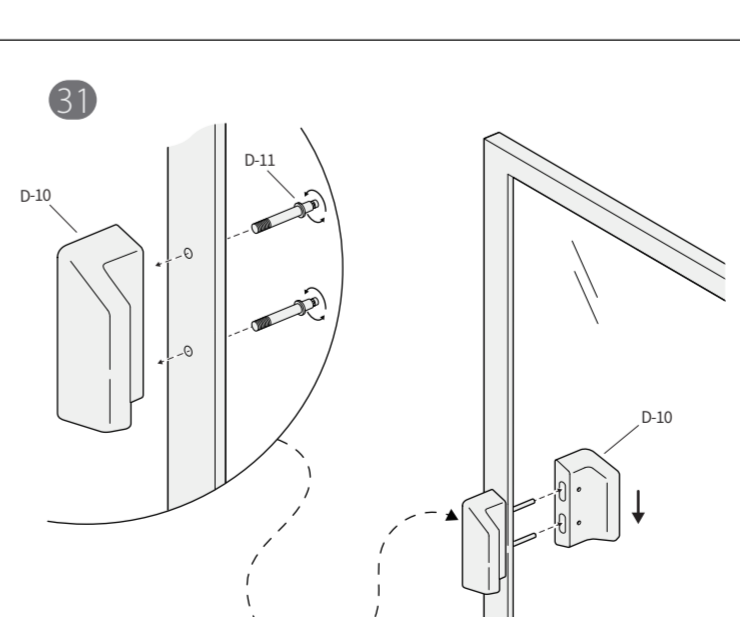
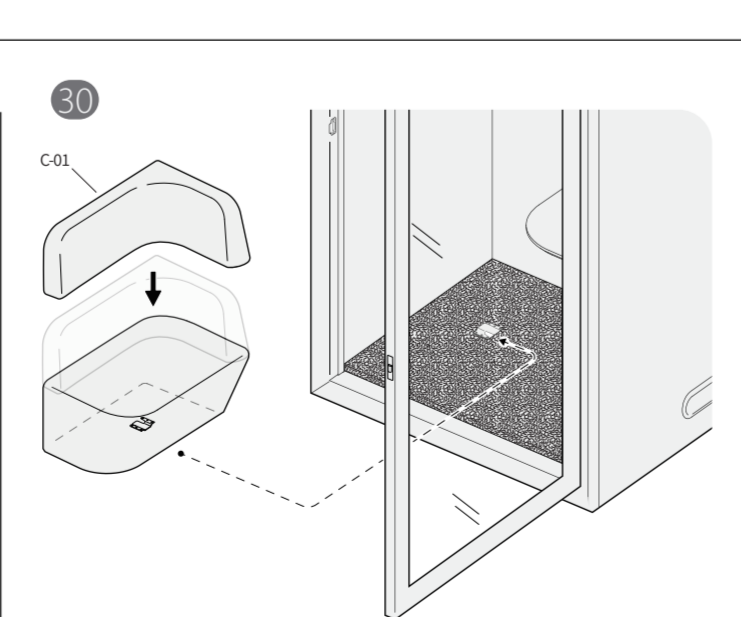
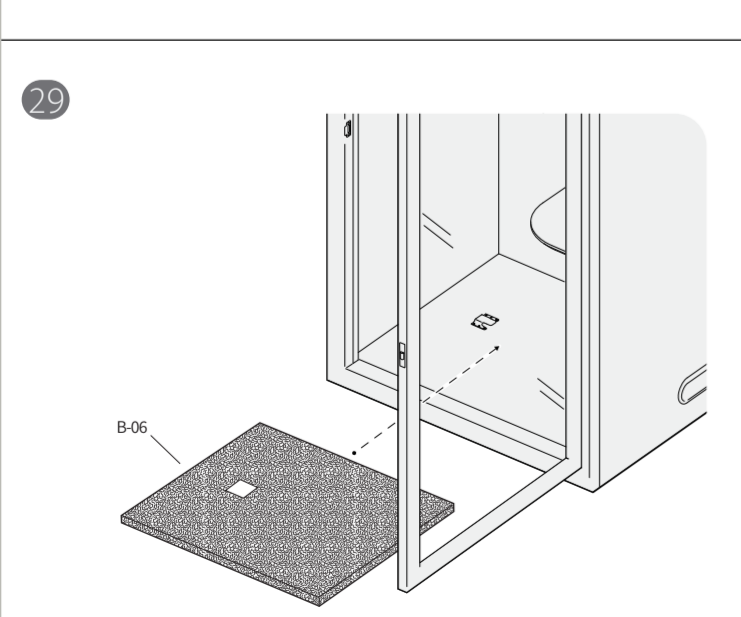
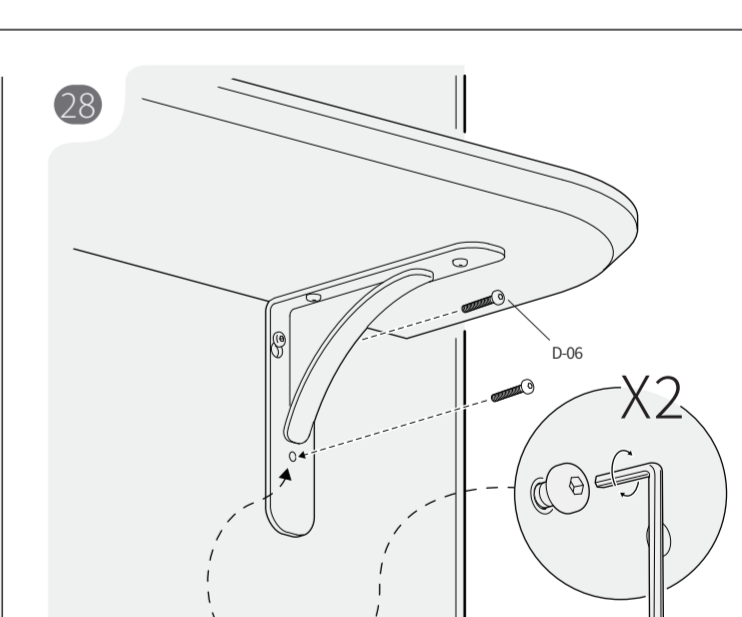
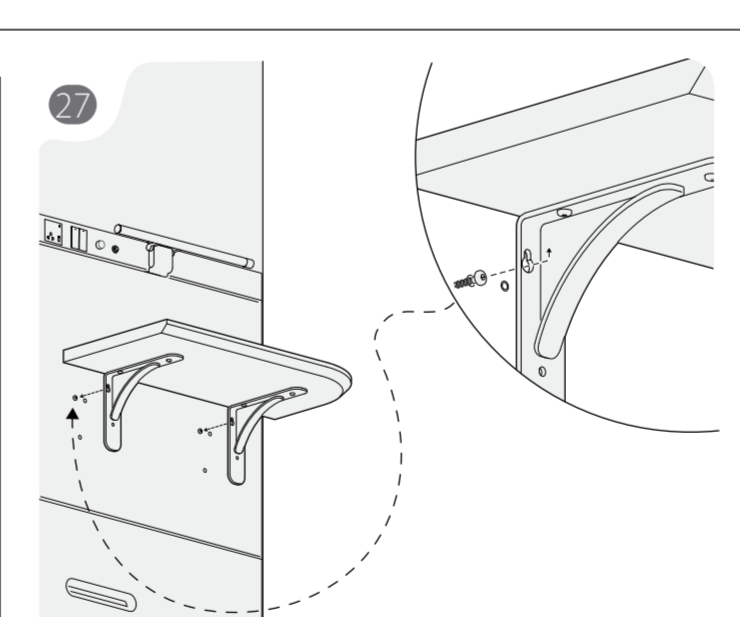
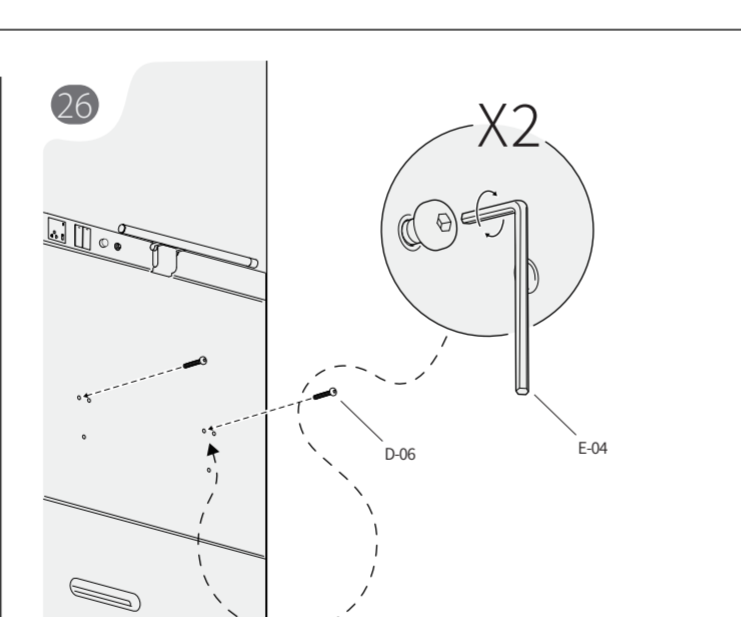
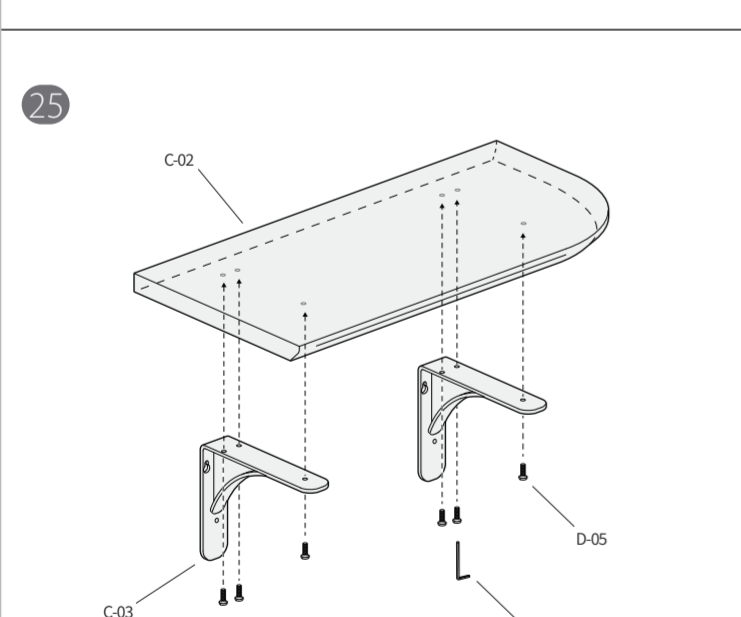
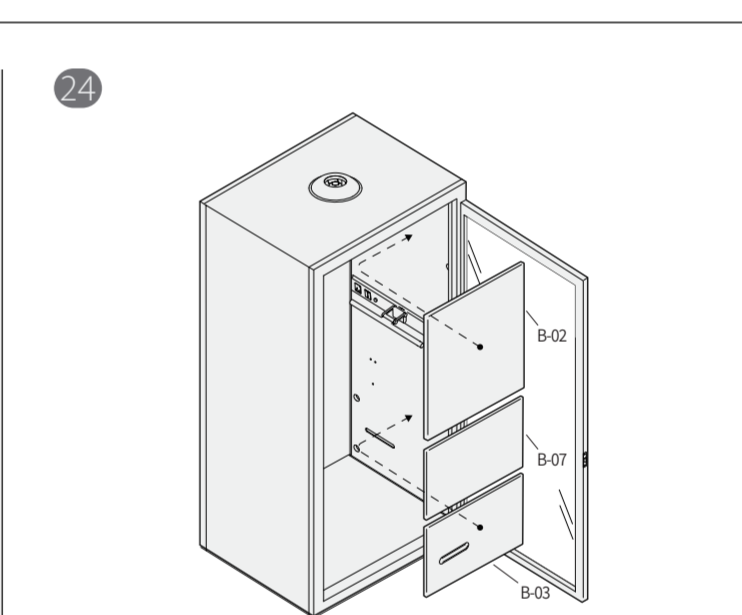
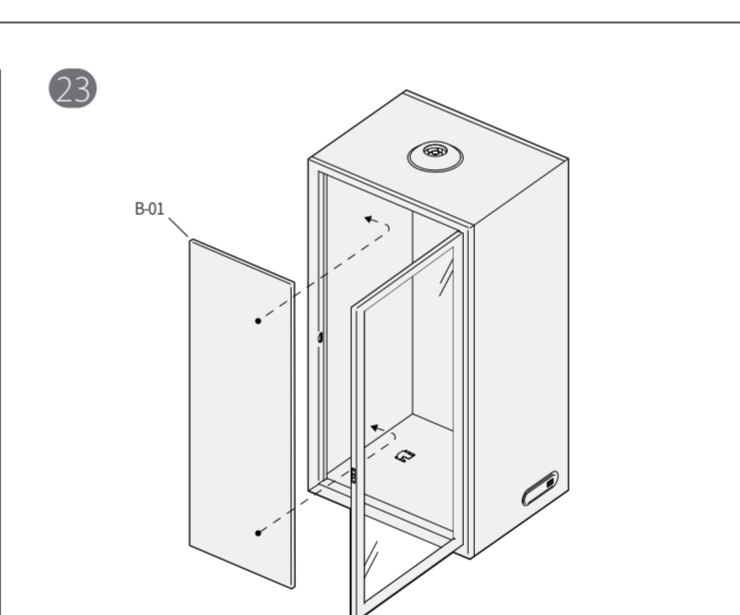
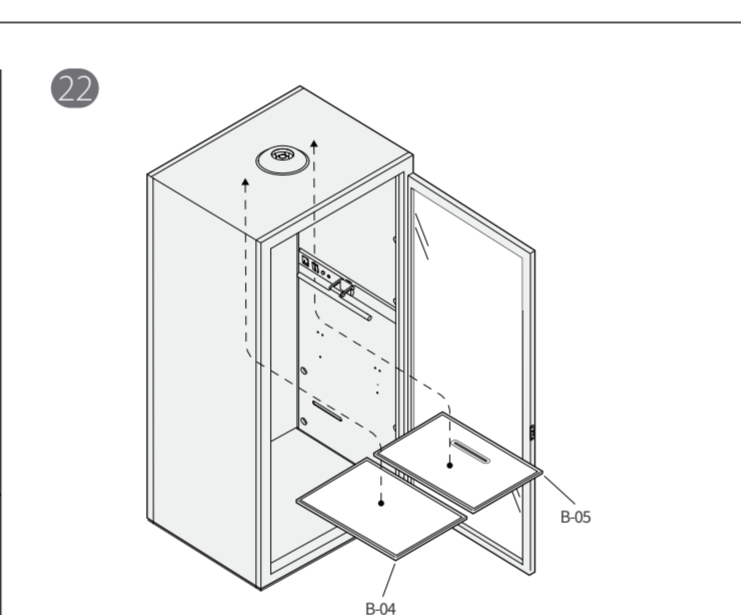
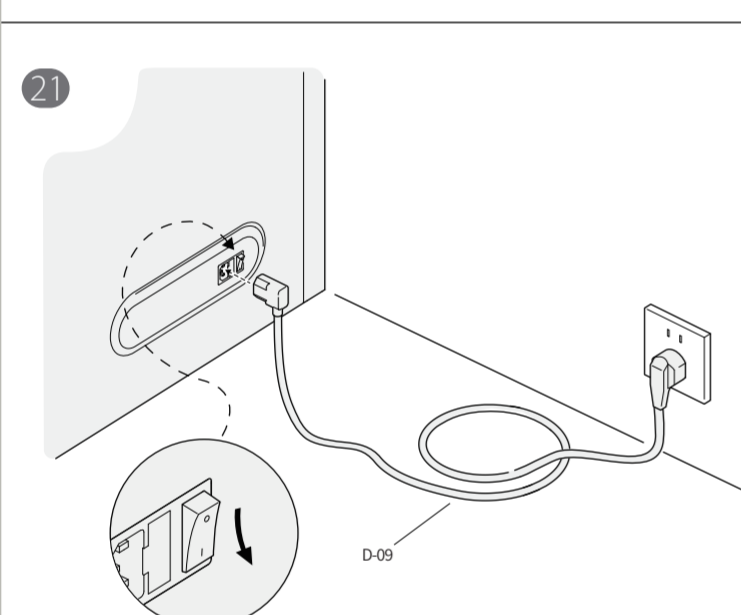
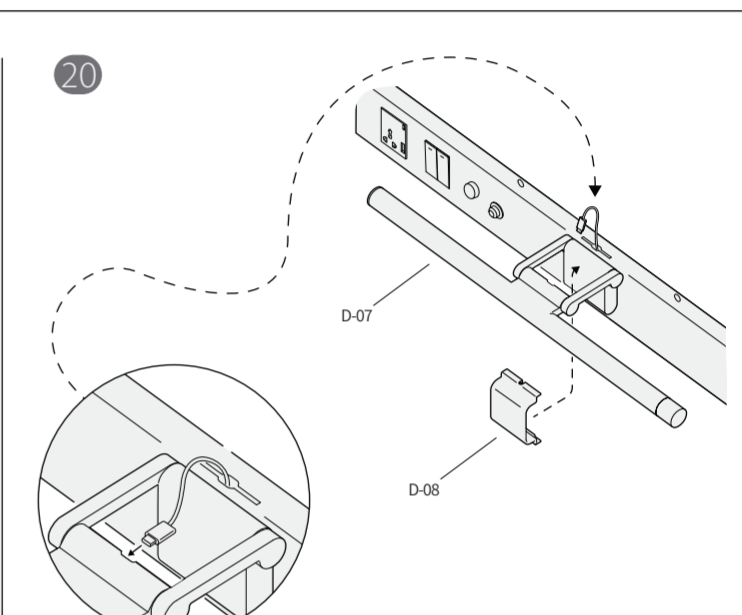
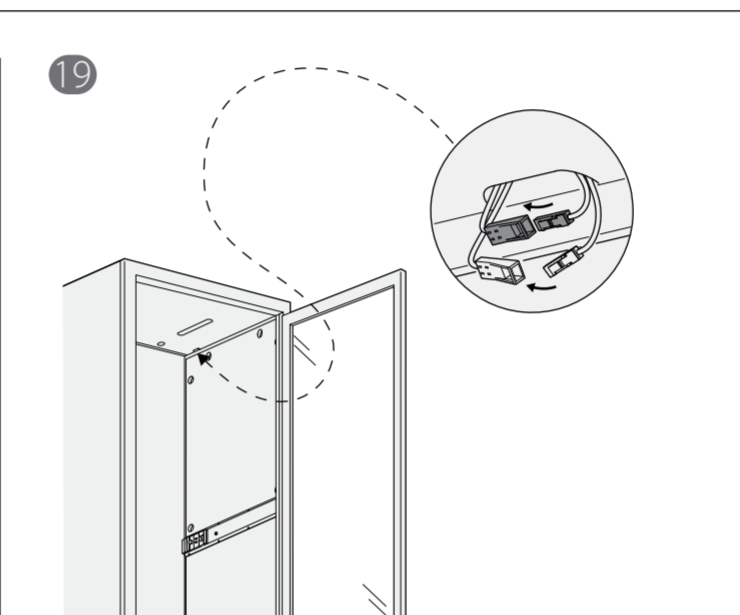
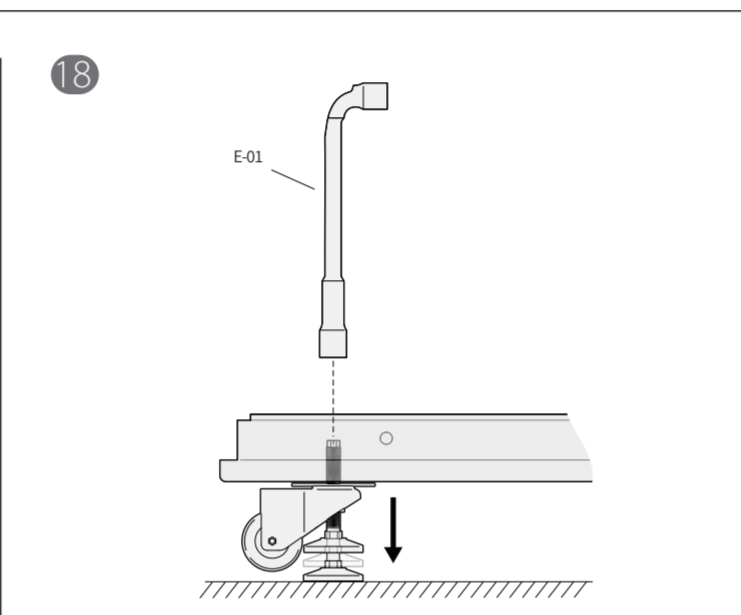
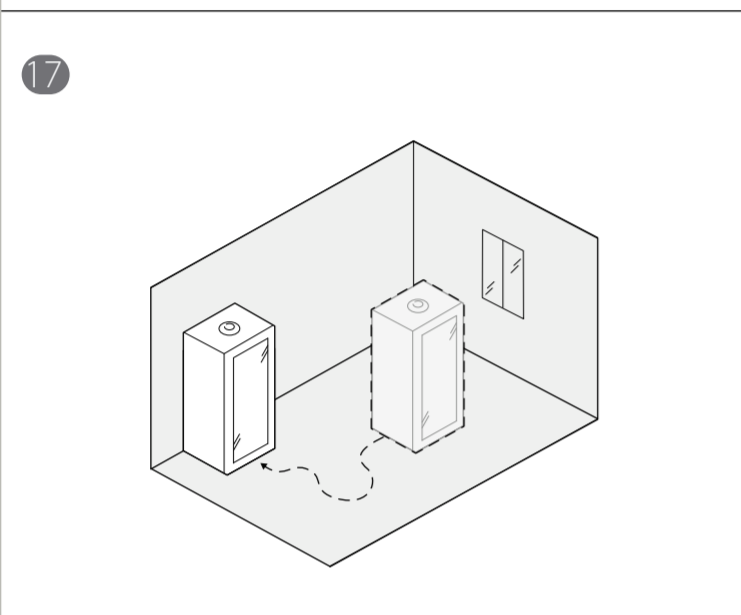
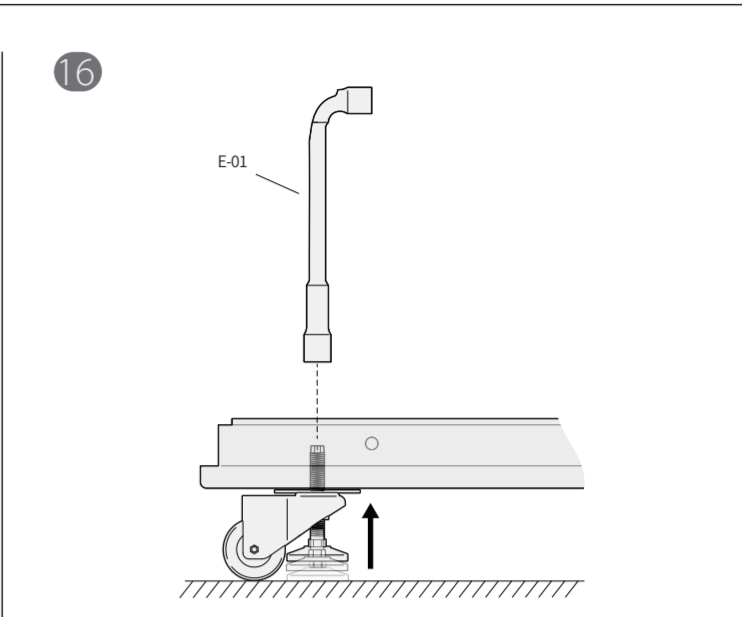
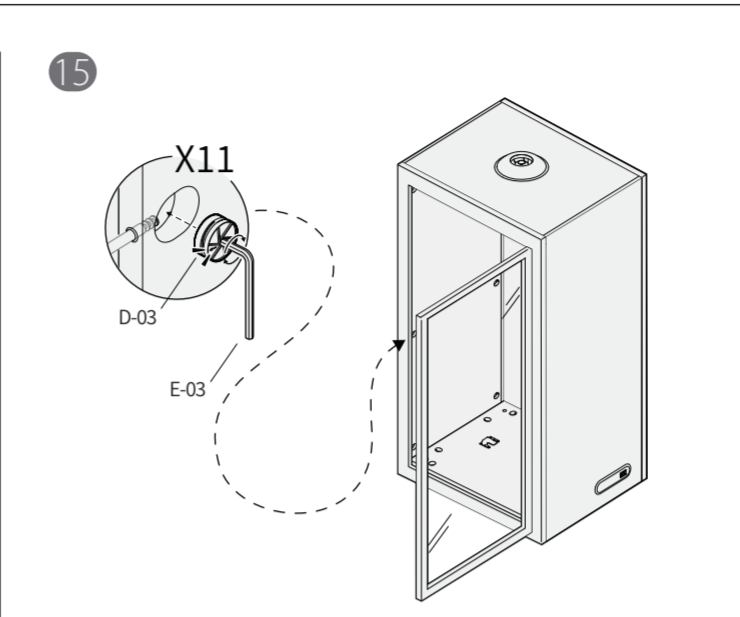
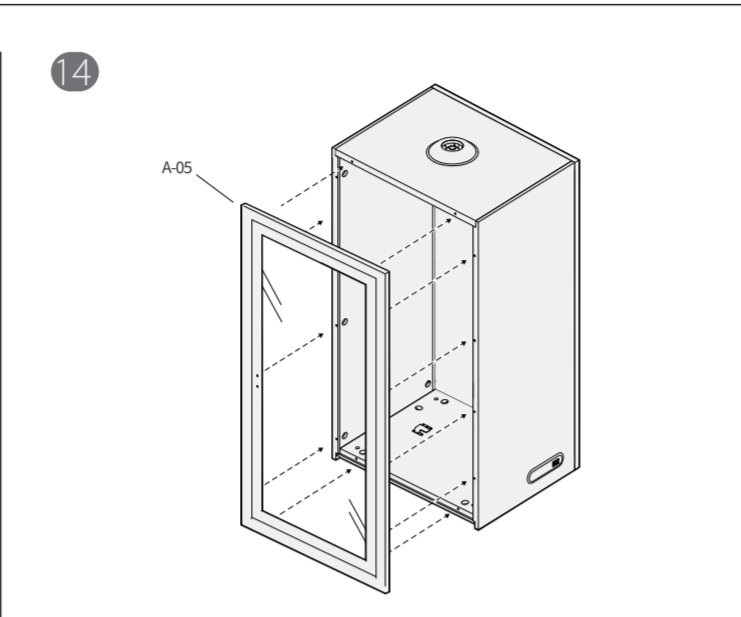
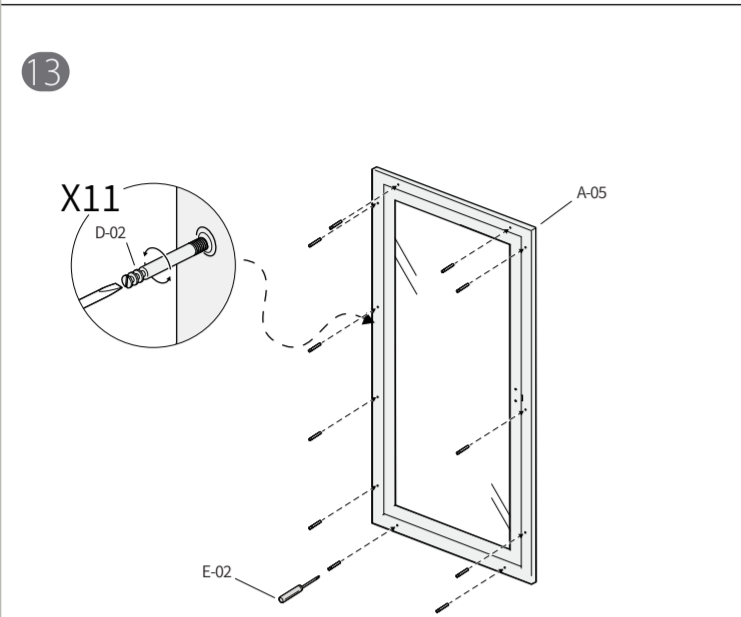
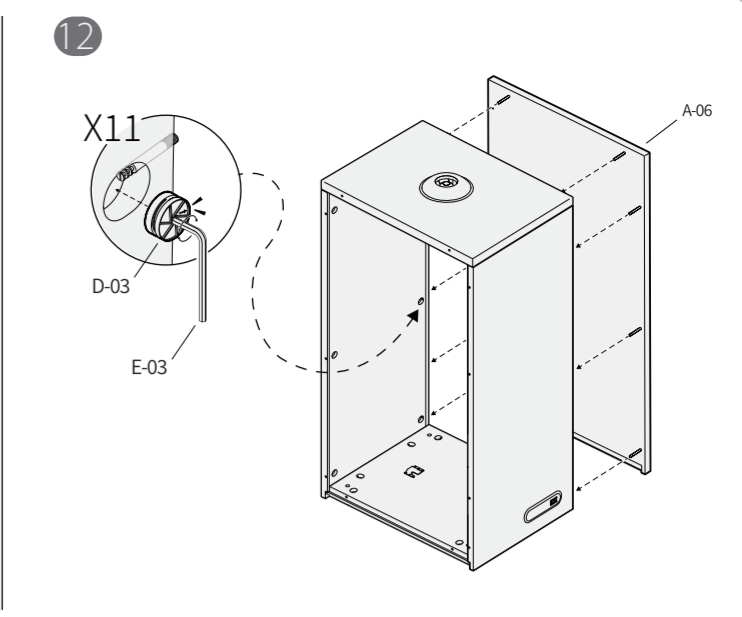
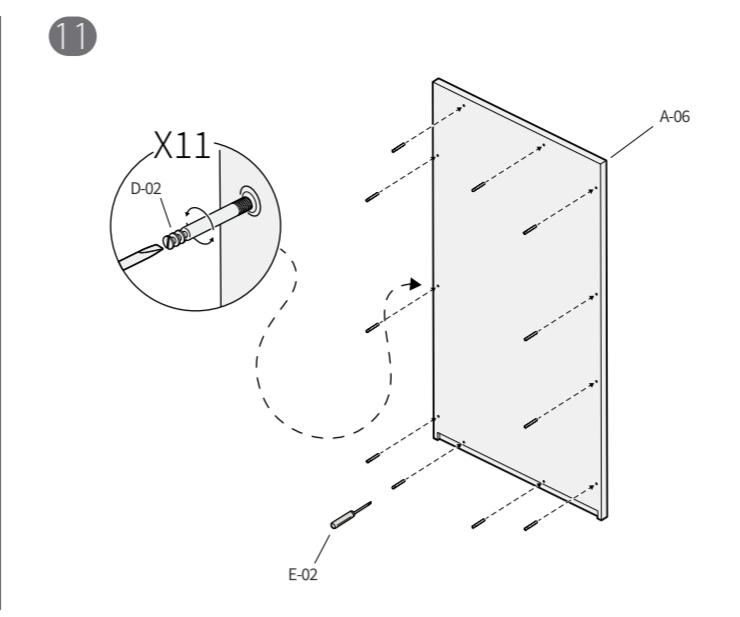
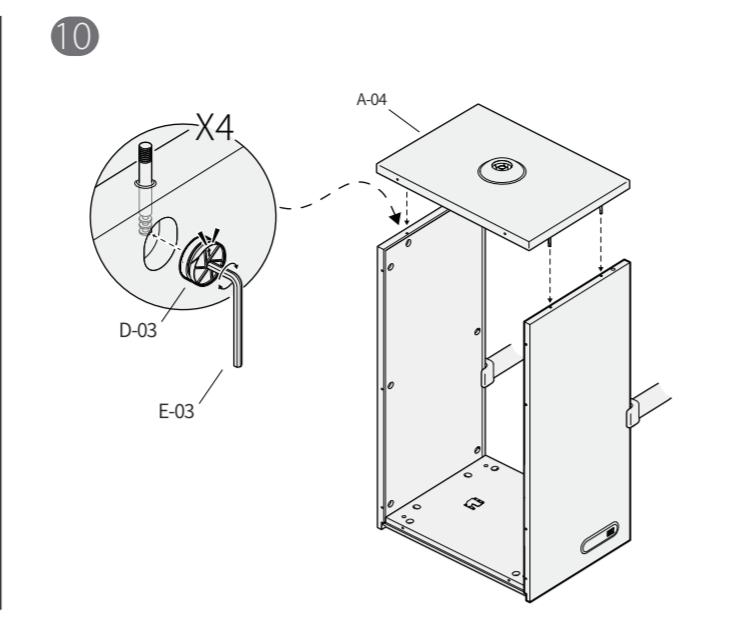
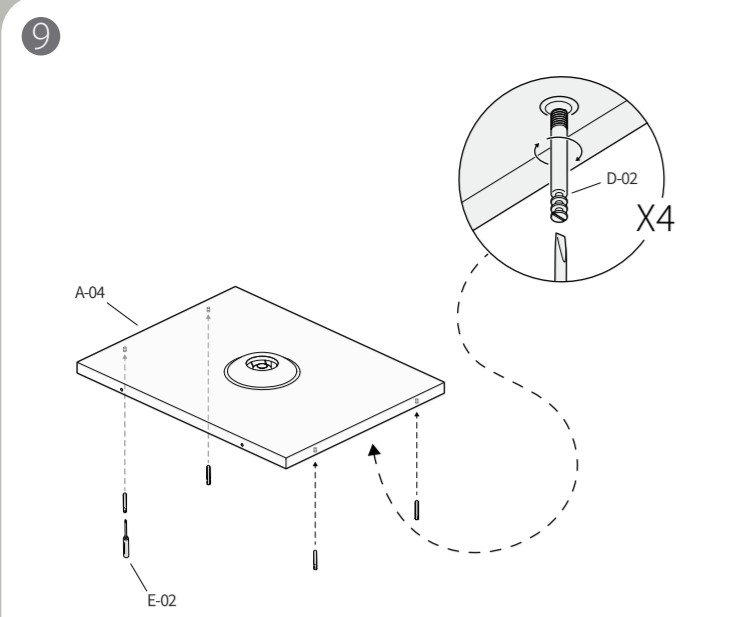
Furniture			
Code	Description	Qty.	Preview
C-01	Seat	1	
C-02	Desk	1	
C-03	Desk Bracket	2	

Accessory			
Code	Description	Qty.	Preview
D-02	Bolt	30	
D-03	Eccentric wheel	30	
D-05	Bolt	6	
D-06	Bolt	6	
D-07	Reading lamp	1	
D-08	Lamp cover	1	
D-09	Power cable	1	
D-10	Door handles	2	
D-11	Bolt	2	

Tool			
Code	Description	Qty.	Preview
E-01	Perforation elbow wrench	1	
E-02	Slotted screwdriver	1	
E-03	M6 hex key wrench	1	
E-04	M4 hex key wrench	1	

INSTALLATION STEPS

-
-
-
-
-
-
-
-



CAUTIONS

- Warning**
- Do not use any electronics exceeding 1000W in case of overload.
 - Do not use the product if the ventilation channels are blocked.
 - Keep the ventilation channels free from foreign objects and debris.
 - Protect all electric hardware from damage that causes electrical leakage.
 - Do not modify the original equipment in case of a short circuit.
 - Do not scratch the glass with any sharp object.
 - Do not smoke or light fires in the pod.
 - Always set the casters to the non-moving state.
 - Disconnect the power cord from the power outlet before starting any cleaning, maintenance, or disassembly procedures.
 - Do not use the product if the ventilation is not functioning.
 - Do not climb on top of the product or place any load on the top of the product.
 - Do not use this product in an environment with oxygen concentration lower than 23.5%.
 - Do not slam the door.
 - Do not use this product outdoors.

- Maintenance & Care**
- Please contact authorized personnel for repair, don't operate without official instruction.
 - Do not put anything heavier than 10kg on the desk.
 - Cut off the power supply if any malfunction occurs.

- Problems & Solutions**
- In case of no power from the power outlets and the fan or lamps don't work.
- Make sure the power cord is plugged in properly.
 - Check if the fuse is burnt out.
 - Check that the wire terminal is firmly connected to the wire following the correct label.

Tuesday 

GETTUESDAY.CO