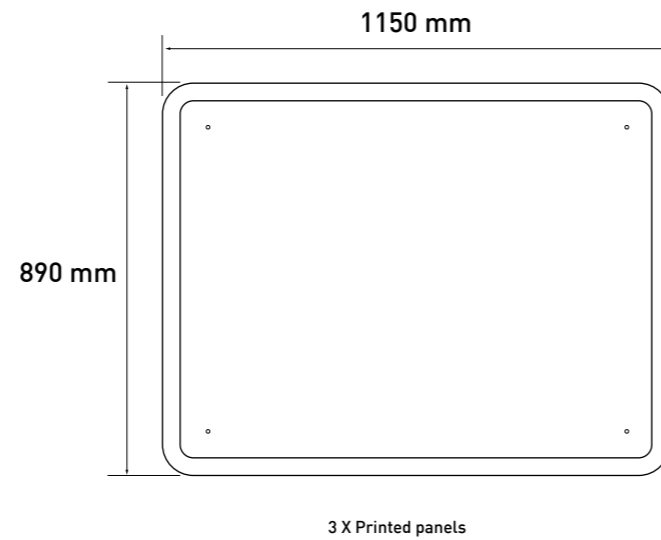
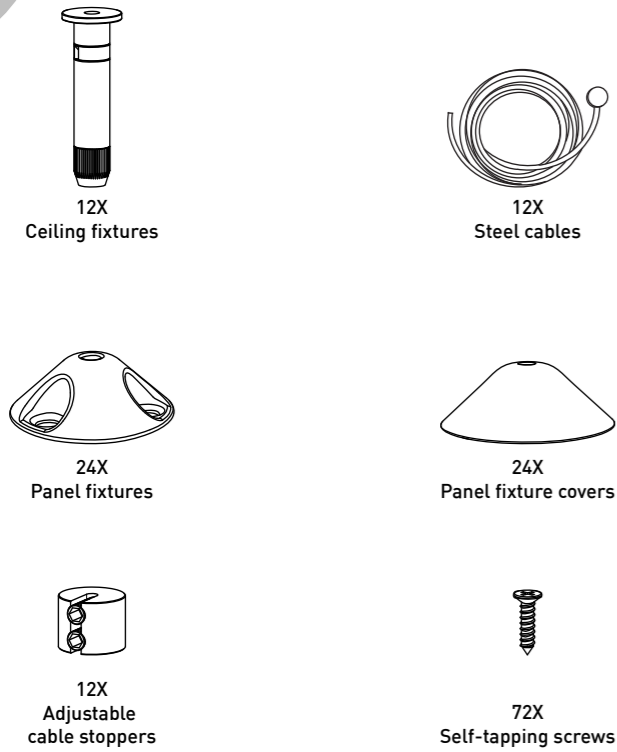
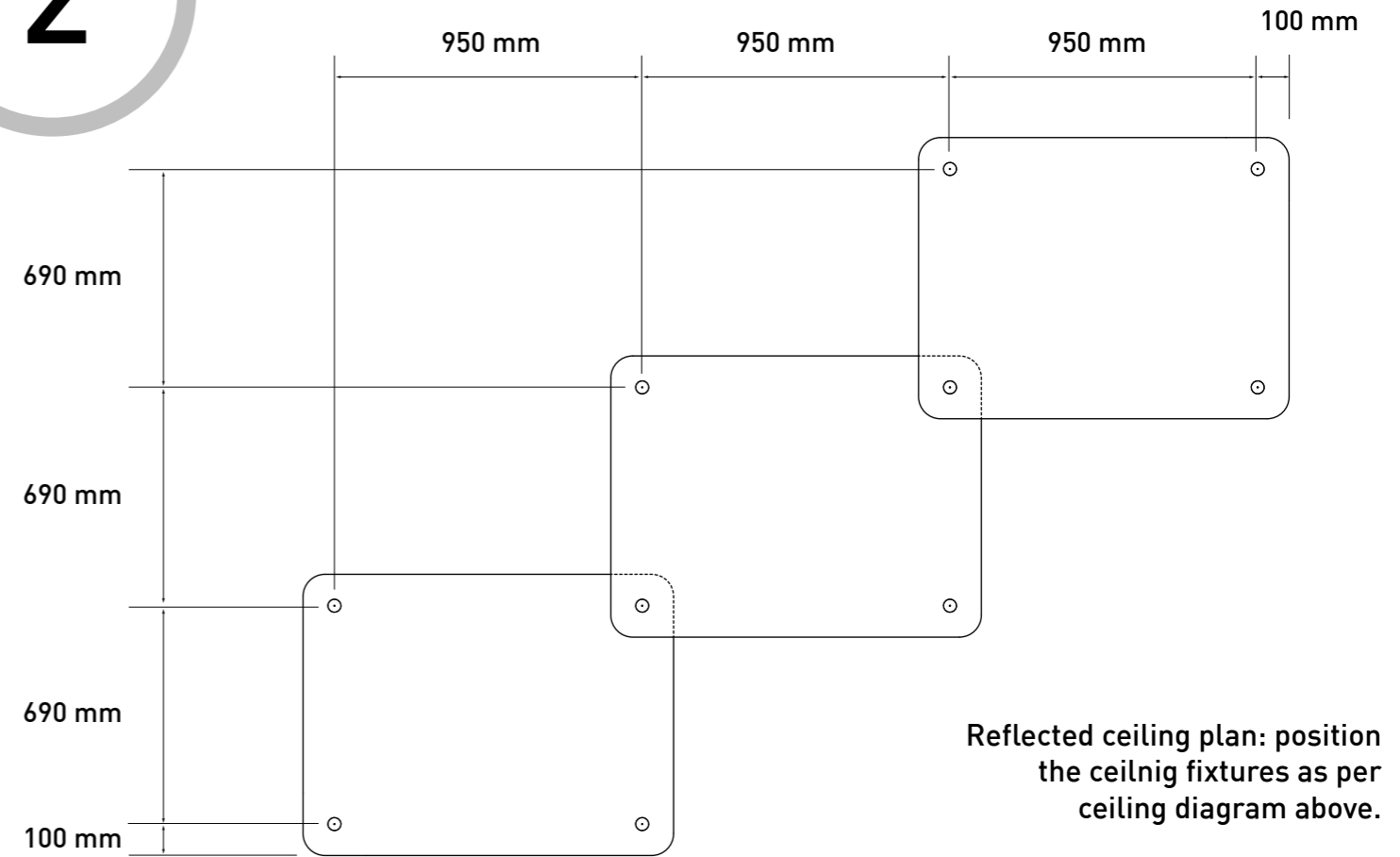


# 1

### The Kit:

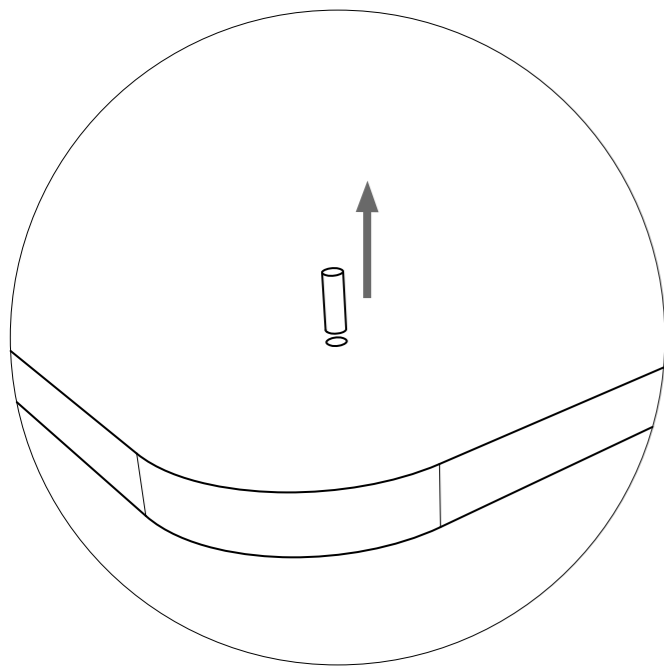


# 2



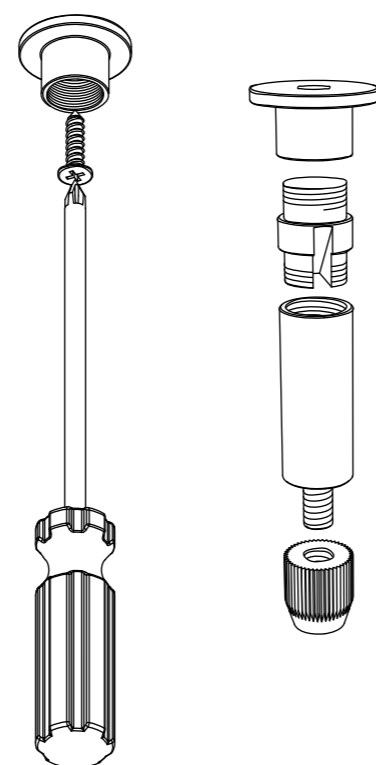
# 3

If feeding the cable through a panel is required, pop out cutouts to reveal 8mm holes, these are inset 100 mm from the corners of the panel.



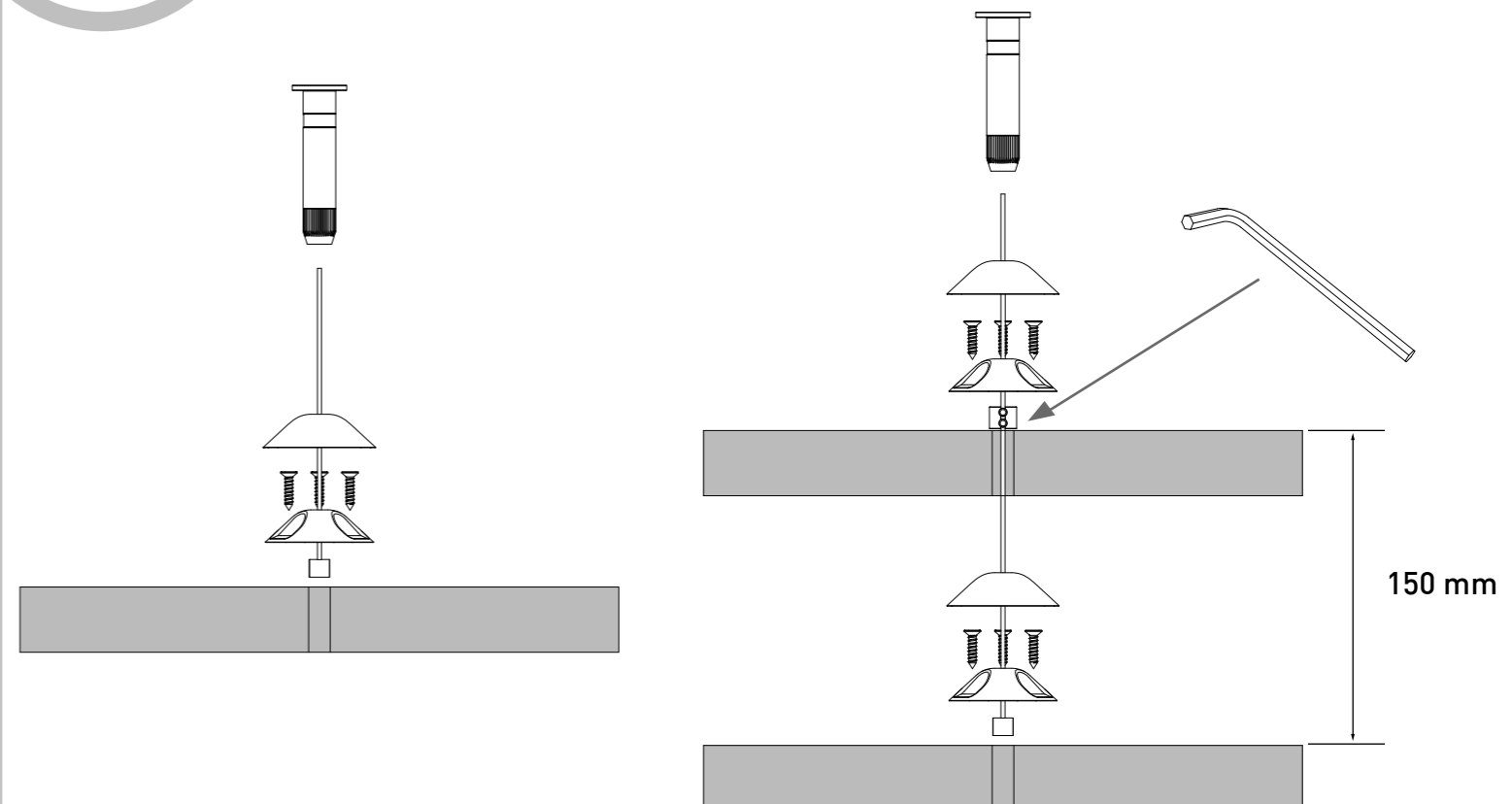
# 4

Undo the top section of the ceiling fixture and screw fix to the ceiling. Then re-assemble the fixture.



# 5

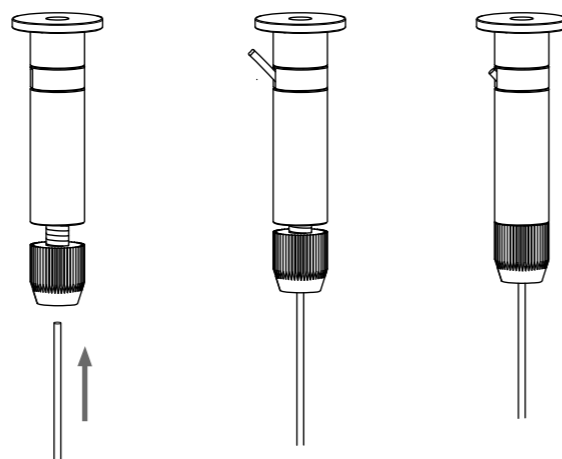
Feed the cable through the panel fixture first, then through the panel fixture cover. Adjust the vertical gap between each panel to 150 mm.



6

Feed the cable through the ceiling fixture, by undoing and pushing the bottom part of the fixture.

Trim excess after the install is complete.

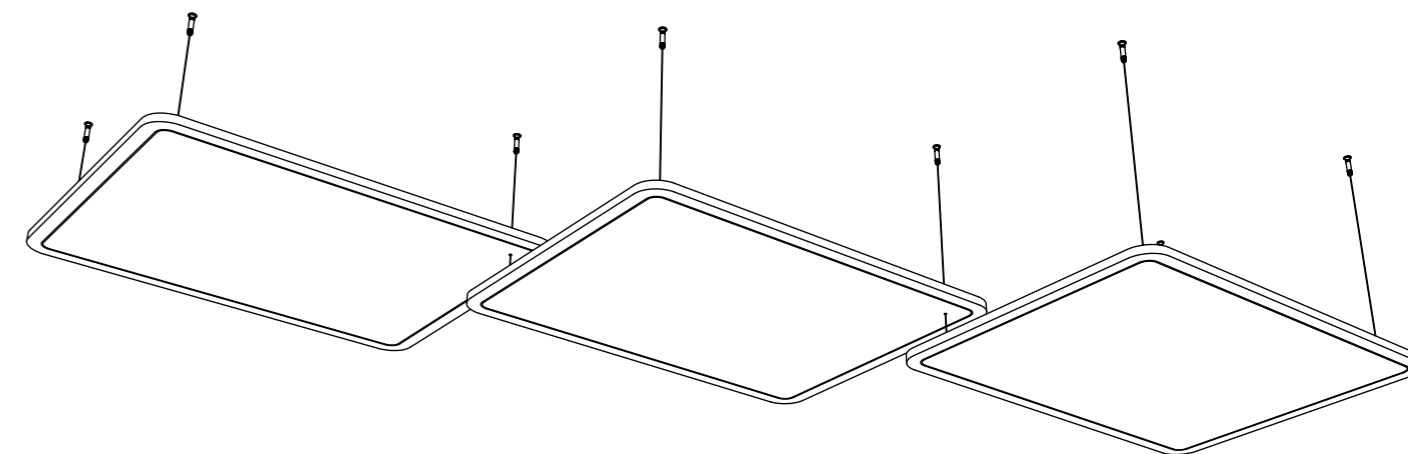
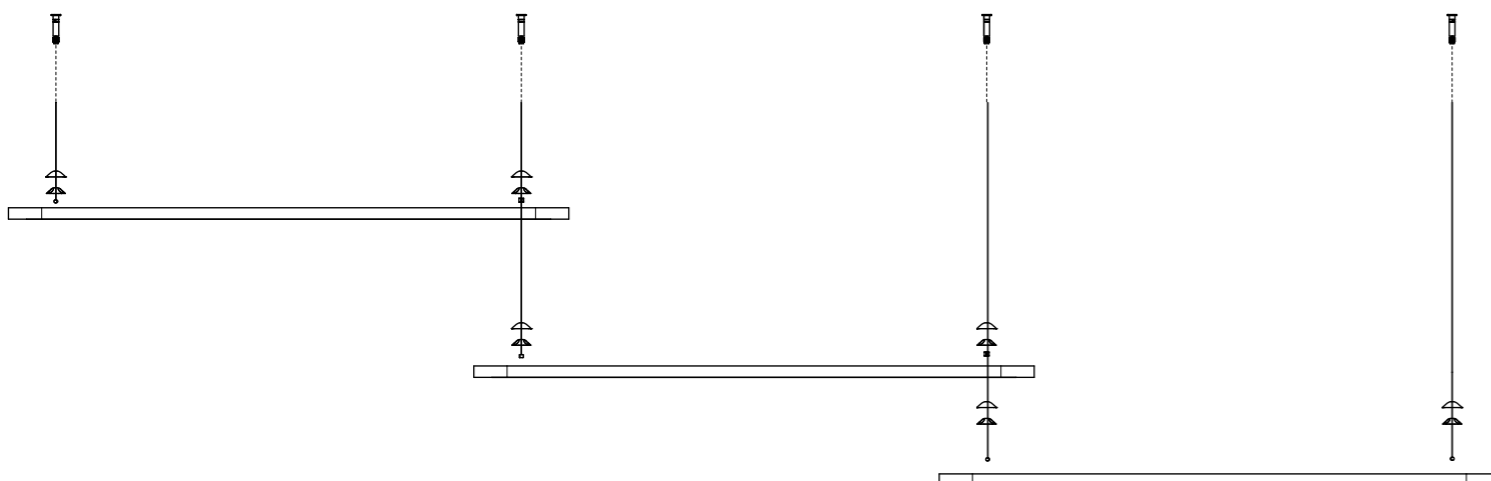


7

Follow the sequence below to proceed to the final install.

Ensure the printed inline on the panels is facing down.

Proceed installing the self tapping screws through the panels, ensuring all panel fixtures are correctly located 100 mm in from each corner.



## EchoPanel® Inline Installation Guide

### Specification

- Suspended acoustic ceiling feature
- 2 meters cable max length
- 3 panels per kit

### Contents of box

- 12 ceiling fixtures
- 12 steel cables (2 meters long)
- 24 sets of panel fixtures and covers
- 72 self-tapping screws

### Please read these instructions before application.

This guide is presented in good faith to help in the installation of EchoPanel® Inline. Woven Image accepts no responsibility for installation actions taken or not taken. This guide contains recommendations and is not intended as an all-encompassing guide, your knowledge as an experienced tradesperson needs to be applied.

A professional qualified installer is recommended for optimum results.

### Tools required

- 1.5 mm allen key
- Phillips-head screw driver

### Pre-Installation Requirements

- No claims will be accepted after the hangers have been installed.
- The hangers should be tested for ceiling suitability and type of fixing required.
- All surfaces must be smooth, clean, dry, dust and mould free.
- Please refer to Woven Image Pty Ltd Terms and Conditions of Trade.

### Cleaning & Care for EchoPanel® Inline

#### Regular Care

- Protect from direct sunlight.
- Vacuum regularly using low suction and smooth attachment.

#### Cleaning

- Professional cleaning recommended.
- Do not shampoo clean.

#### Spot Cleaning

- Treat spills and stains as soon as possible.
- Avoid concentrated rubbing. Use minimal pressure only.
- Gently scrape soil or mop liquid from the surface of the panel.
- Apply proprietary cleaning agents strictly according to instructions.
- Do not saturate the EchoPanel® with water or other cleaning liquids.
- May be spot cleaned with dry cleaning solvent.

For more information visit [wovenimage.com](http://wovenimage.com)



[wovenimage.com](http://wovenimage.com)

© WOVEN IMAGE®